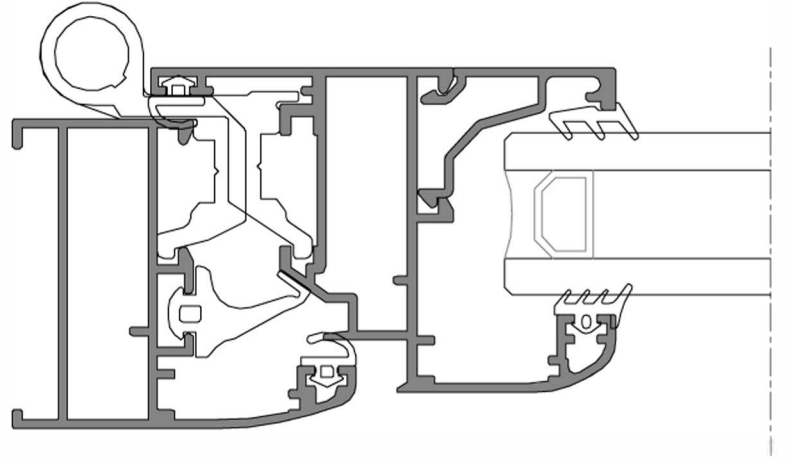




Kapı - Pencere Sistem  
Door - Window System



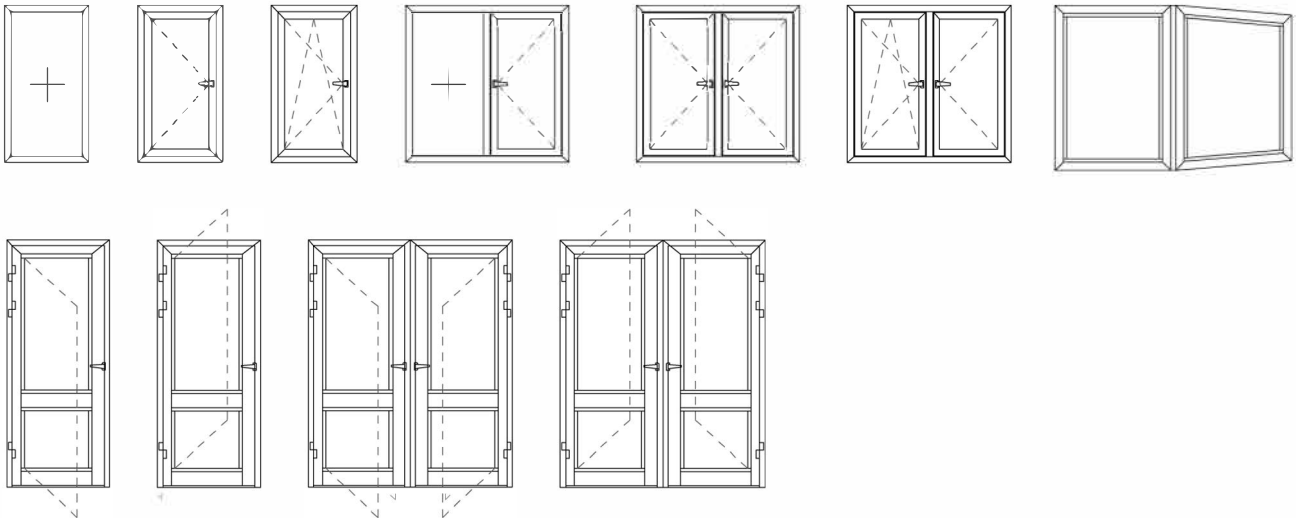
# WVD37



### TEKNİK ÖZELLİKLER / TECHNICAL PROPERTIES



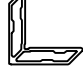





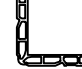

<b>KASA GENİŞLİĞİ / FRAME WIDTH</b>	<b>37 - 42 mm</b>
<b>KANAT GENİŞLİĞİ / SASH WIDTH</b>	<b>44 mm</b>
<b>PROFİL ET KALINLIĞI / PROFILE WALL THICKNESS</b>	<b>1,2 - 1,3 mm</b>
<b>MIN. CAM KALINLIĞI / MIN. GLAZING THICKNESS</b>	<b>4 mm</b>
<b>MAKS. CAM KALINLIĞI / MAX. GLAZING THICKNESS</b>	<b>24 mm</b>
<b>MIN. KANAT ÖLÇÜLERİ / MIN. SASH DIMENSIONS</b>	<b>350 x 500 mm</b>
<b>MAX. KANAT ÖLÇÜLERİ / MAX. SASH DIMENSIONS</b>	<b>1300 x 2800 mm</b>
<b>MAX. KANAT AĞIRLIĞI / MAX. SASH WEIGHT</b>	<b>90 kg</b>

### UYGULAMA SEÇENEKLERİ / APPLICATION OPTIONS



PROF L KES T PROFILE SECTION	PROF L KODU PROFILE CODE	PROF L ADI PROFILE NAME	Jx cm <sup>4</sup>	Jy cm <sup>4</sup>	A IRLIK (kg/m) WEIGHT
	13124	KASA PROF L FRAME PROFILE	5,45 cm <sup>4</sup>	3,26 cm <sup>4</sup>	0,678 kg/m
	766	KASA PROF L FRAME PROFILE	3,44 cm <sup>4</sup>	5,29 cm <sup>4</sup>	0,632 kg/m
	707	KASA PROF L FRAME PROFILE	3,36 cm <sup>4</sup>	5,36 cm <sup>4</sup>	0,649 kg/m
	794	KASA PROF L FRAME PROFILE	6,73 cm <sup>4</sup>	6,46 cm <sup>4</sup>	0,700 kg/m
	708	KASA PROF L FRAME PROFILE	7,07 cm <sup>4</sup>	6,81 cm <sup>4</sup>	0,812 kg/m
	3915	KASA PROF L FRAME PROFILE	2,75 cm <sup>4</sup>	4,07 cm <sup>4</sup>	0,572 kg/m
	596	KASA PROF L FRAME PROFILE	6,81 cm <sup>4</sup>	6,59 cm <sup>4</sup>	0,719 kg/m
	762	PERVAZLI KASA PROF L SILL FRAME PROFILE	8,57 cm <sup>4</sup>	9,15 cm <sup>4</sup>	0,833 kg/m
	6237	PERVAZLI KASA PROF L SILL FRAME PROFILE	9,08 cm <sup>4</sup>	12,49 cm <sup>4</sup>	0,875 kg/m
	763	KASA PROF L FRAME PROFILE	11,71 cm <sup>4</sup>	17,15 cm <sup>4</sup>	1,021 kg/m
	709	KASA PROF L FRAME PROFILE	11,69 cm <sup>4</sup>	17,45 cm <sup>4</sup>	1,045 kg/m
	769	ORTA KAYIT PROF L MULLION PROFILE	4,86 cm <sup>4</sup>	9,69 cm <sup>4</sup>	0,752 kg/m
	713	ORTA KAYIT PROF L MULLION PROFILE	4,91 cm <sup>4</sup>	5,64 cm <sup>4</sup>	0,809 kg/m
	767	ORTA KAYIT PROF L MULLION PROFILE	6,82 cm <sup>4</sup>	15,83 cm <sup>4</sup>	0,945 kg/m
	714	ORTA KAYIT PROF L MULLION PROFILE	6,96 cm <sup>4</sup>	16,62 cm <sup>4</sup>	1,057 kg/m
	773	KANAT PROF L SASH PROFILE	5,68 cm <sup>4</sup>	6,51 cm <sup>4</sup>	0,728 kg/m
	710	KANAT PROF L SASH PROFILE	5,95 cm <sup>4</sup>	7,04 cm <sup>4</sup>	0,757 kg/m
	768	ÇE AÇILIR KANAT PROF L INWARD OPENING SASH PROFILE	20,14 cm <sup>4</sup>	9,87 cm <sup>4</sup>	0,933 kg/m
	692	ÇE AÇILIR KANAT PROF L INWARD OPENING SASH PROFILE	23,99 cm <sup>4</sup>	10,69 cm <sup>4</sup>	0,977 kg/m
	599	DI A AÇILIR KANAT PROF L OUTWARD OPENING SASH PROFILE	24,15 cm <sup>4</sup>	9,87 cm <sup>4</sup>	0,997 kg/m
	795	DI A AÇILIR KANAT PROF L OUTWARD OPENING SASH PROFILE	20,14 cm <sup>4</sup>	9,06 cm <sup>4</sup>	0,933 kg/m
	691	DI A AÇILIR KANAT PROF L OUTWARD OPENING SASH PROFILE	23,99 cm <sup>4</sup>	9,69 cm <sup>4</sup>	0,977 kg/m

PROF L KES T PROFILE SECTION	PROF L KODU PROFILE CODE	PROF L ADI PROFILE NAME	Jx cm <sup>4</sup>	Jy cm <sup>4</sup>	A IRLIK (kg/m) WEIGHT
	600	DI A AÇILIR KANAT PROF L OUTWARD OPENING SASH PROFILE	24,15 cm <sup>4</sup>	10,94 cm <sup>4</sup>	0,997 kg/m
	752	ETEK PROF L BOTTOM PROFILE	-	-	1,413 kg/m
	715	ETEK PROF L BOTTOM PROFILE	-	-	1,532 kg/m
	759	KÖ E DÖNÜ ADAPTÖR PROF L CORNER ADAPTER PROFILE	-	-	0,307 kg/m
	755	KÖ E DÖNÜ PROF L CORNER PROFILE	5,90 cm <sup>4</sup>	5,90 cm <sup>4</sup>	0,541 kg/m
	2240	KÖ E DÖNÜ PROF L CORNER PROFILE	4,25 cm <sup>4</sup>	4,25 cm <sup>4</sup>	0,499 kg/m
	758	KÖ E DÖNÜ PROF L CORNER PROFILE	2,74 cm <sup>4</sup>	3,72 cm <sup>4</sup>	0,460 kg/m
	760	ADAPTÖR PROF L ADAPTER PROFILE	-	-	0,724 kg/m
	4242	DAMLALIK PROF L SILL PROFILE	-	-	0,094 kg/m
	7021	DAMLALIK PROF L SILL PROFILE	-	-	0,140 kg/m
	13123	PERVAZ PROF L SILL PROFILE	-	-	0,236 kg/m
	764	PERVAZ PROF L SILL PROFILE	-	-	0,385 kg/m
	785	LAMBR PROF L PANELING PROFILE	-	-	1,017 kg/m
	8241	T J PROF L STEM BAR PROFILE	-	-	0,099 kg/m
	792	CAM ÇITASI (26.5 mm) GLAZING BEAD (26.5 mm)	-	-	0,301 kg/m
	7023	CAM ÇITASI (24 mm) GLAZING BEAD (24 mm)	-	-	0,294 kg/m
	770	CAM ÇITASI (21.5 mm) GLAZING BEAD (21.5 mm)	-	-	0,270 kg/m
	664	CAM ÇITASI (18 mm) GLAZING BEAD (18 mm)	-	-	0,266 kg/m
	665	CAM ÇITASI (18 mm) GLAZING BEAD (18 mm)	-	-	0,253 kg/m
	791	CAM ÇITASI (14 mm) GLAZING BEAD (14 mm)	-	-	0,246 kg/m
	793	CAM ÇITASI (13.5 mm) GLAZING BEAD (13.5 mm)	-	-	0,235 kg/m
	12699	CAM ÇITASI (9.5 mm) GLAZING BEAD (9.5 mm)	-	-	0,243 kg/m

PROF L KES T PROFILE SECTION	PROF L KODU PROFILE CODE	PROF L ADI PROFILE NAME	$Jx \text{ cm}^4$	$Jy \text{ cm}^4$	A IRLIK (kg/m) WEIGHT
	772	CAM ÇITASI (5.7 mm) GLAZING BEAD (5.7 mm)	-	-	0,225 kg/m
	771	CAM ÇITASI (2.7 mm) GLAZING BEAD (2.7 mm)	-	-	0,165 kg/m
	386	KÖ E ÇAVU BA LANTI PROF L CORNER CONNECTION PROFILE	-	-	1,088 kg/m
	388	KÖ E ÇAVU BA LANTI PROF L CORNER CONNECTION PROFILE	-	-	1,012 kg/m
	389	KÖ E ÇAVU BA LANTI PROF L CORNER CONNECTION PROFILE	-	-	1,338 kg/m
	390	KÖ E ÇAVU BA LANTI PROF L CORNER CONNECTION PROFILE	-	-	1,381 kg/m
	4777	KÖ E TAKOZ PROF L CORNER WEDGE PROFILE	-	-	4,598 kg/m
	3088	KÖ E TAKOZ PROF L CORNER WEDGE PROFILE	-	-	3,498 kg/m
	598	KÖ E TAKOZ PROF L CORNER WEDGE PROFILE	-	-	1,677 kg/m
	597	KÖ E TAKOZ PROF L CORNER WEDGE PROFILE	-	-	4,241 kg/m

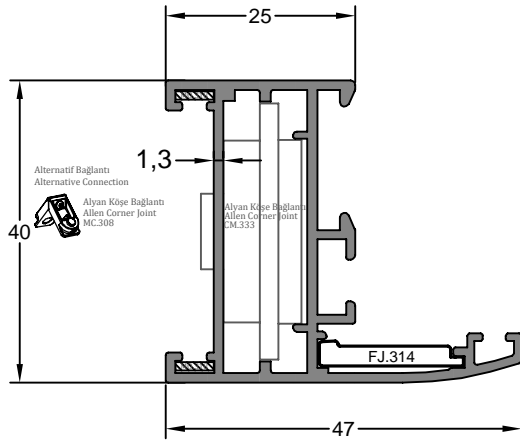
AKSESUAR ACCESSORY	STOK KODU REFERENCE CODE	AKSESUAR ADI DESCRIPTION	AKSESUAR KODU PRODUCT CODE	PAKET PACK
	03 010438	KASA KANAT F T L FRAME SASH GASKET	WD37-KBF.70	303 mt / paket 10 kg
	03 010106	DI CAM F T L OUTER GLAZING GASKET	WD37-DCF.25	240 mt / paket 10 kg
	03 011230	Ç CAM F T L INNER GLAZING GASKET	WD37- CF.30	330 mt / paket 10 kg
	03 011231	Ç CAM F T L INNER GLAZING GASKET	WD37- CF.40	205 mt / paket 10 kg
	03 010732	Ç CAM F T L INNER GLAZING GASKET	WD37- CF.50	175 mt / paket 10 kg
	03 011006	ORTA B N F T L MIDDLE GASKET	WD37-OBF.06	114 mt / paket 10 kg
	01 150200	ALÜM NYUM KAPI ALTI FIRÇASI ALUMINIUM DOORBASE BRUSH	WD37-KF.200	100 ad / 1 pk
	01 130305	ALYAN KÖ E BA LANTI ALLEN CORNER JOINT	WD37-MC.305	250 ad / 1 pk
	01 130307	ALYAN KÖ E BA LANTI ALLEN CORNER JOINT	WD37-MC.307	250 ad / 1 pk
	01 130308	ALYAN KÖ E BA LANTI ALLEN CORNER JOINT	WD37-MC.308	250 ad / 1 pk
	01 130327	ALYAN KÖ E BA LANTI ALLEN CORNER JOINT	WD37-MC.327	250 ad / 1 pk
	01 130333	ALYAN KÖ E BA LANTI ALLEN CORNER JOINT	WD37-CM.333	250 ad / 1 pk
	01 130314	KÖ E ÇAVU U CORNER CONNECTION	WD37-FJ.314	250 ad / 1 pk
	01 120213	KANAT Ç KÖ E GÖNYE CORNER BRACKET	WD37-KG.206	500 ad / 1 pk
	06 140203	CAM TAKOZU (3X20X80 mm) GLAZING WEDGE (3X20X80 mm)	WD37-CT.203	1000 ad / 1 pk
	06 140208	CAM TAKOZU (5X20X80 mm) GLAZING WEDGE (5X20X80 mm)	WD37-CT.208	1000 ad / 1 pk
	06 140210	CAM TAKOZU (5X28X80 mm) GLAZING WEDGE (5X28X80 mm)	WD37-CT.210	1000 ad / 1 pk
	04 010115	SAB T PERDEL YA MUR TAHL YE KAPAK WATER DRAIN COVER (FIXED)	WD37-TK.115	1000 ad / 1 pk
	04 010112	HAREKETL PERDEL YA MUR TAHL YE KAPAK WATER DRAIN COVER (MOVEABLE)	WD37-TK.112	1000 ad / 1 pk
	01 120201	AYARLI SPANYOLET KAR ILI I (SETSKURLU) ADJUSTABLE ESPAGNOLETTE STRIKER (PINNED)	WD37-TPK.201	100 ad / 1 pk

AKSESUAR ACCESSORY	STOK KODU REFERENCE CODE	AKSESUAR ADI DESCRIPTION	AKSESUAR KODU PRODUCT CODE	PAKET PACK
	01 120217	PVC KANALLI SPANYOLET KAR ILI I PVC GROOVE ESPAGNOLETTE STRIKER(SCREWED)	WD37-PK.217	100 ad / 1 pk
	01 120100	SPANYOLET P M (EURO KANAL) ESPAGNOLETTE PIN (EURO CHANNEL)	WD37-TP.100	100 ad / 1 pk
	05 010401	153/35 mm D LL K L T BOLT LOCK	WD37-DK.401	30 ad / 1 pk
	05 010405	155/35 mm MAKARALI K L T ROLLED LOCK	WD37-MK.405	30 ad / 1 pk
	05 011103	76 mm BAREL 76 mm CYLINDER	WD37-BR.103	24 ad / 1 pk
	01 060210	OVAL SER K L T KAR ILI I (D LL) OVAL SERIES LOCK STRIKER (BOLT)	WD37-KK.210	50 ad / 1 pk
	01 060211	OVAL SER K L T KAR ILI I (MAKARALI) OVAL SERIES LOCK STRIKER (ROLLED)	WD37-KK.211	50 ad / 1 pk
	01 090650	PVC KANALLI TEK AÇILIM MENTE E TAKIMI (9/18) PVC GROOVED CASEMENT HINGE (9/18)	WD37-PM.650	1 pk / 100 ad
	01 090680	PVC KANALLI Ç FT AÇILIM MENTE E TAKIMI (9/18) PVC GROOVED TILT&TURN SET (9/18)	WD37-PMT.680	1 pk / 100 ad
	01 040104	YAYLI SOS S KOL SPRING DOOR HANDLE	WD37-YK.104	50 ad / 1 pk
	01 040109	YAYLI SOS S KOL BAREL ROZET SPRING DOOR HANDLE CYLINDER BADGE	WD37-BR.109	2 ad / 1 pk
	01 051101	U KOL (ELOKSALLI) U SHAPED HANDLE (ANODIZED)	WD37-UK.101	10 ad / 1 pk
	01 031309	H KOL (ELOKSALLI) H SHAPED HANDLE (ANODIZED)	WD37-HK.309	10 ad / 1 pk

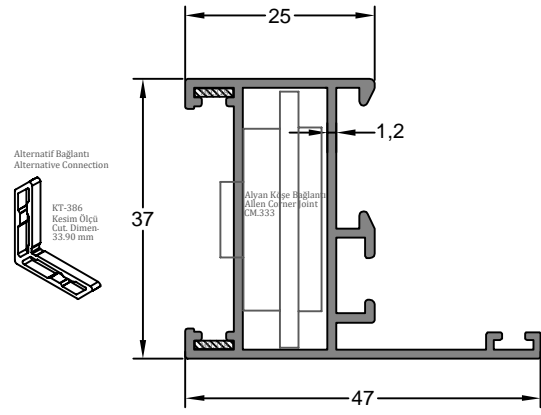
AKSESUAR ACCESSORY	STOK KODU REFERENCE CODE	AKSESUAR ADI DESCRIPTION	AKSESUAR KODU PRODUCT CODE	PAKET PACK
	01 020601	EKSENEL KOL ROTO (ELOKSALLI) ROTO AXIAL HANDLE (ANODIZED)	WD37-RK.601	10 ad / 1 pk
	01 020604	EKSENEL KOL ROTO (ELOKSALLI K L TL ) ROTO AXIAL HANDLE (ANODIZED LOCKED)	WD37-RK.604	10 ad / 1 pk
	01 040902	FORZA EFOR YAYLI KAPI KOLU (BEYAZ) FORZA EFOR DOOR HANDLE (WHITE)	WD37-FK.902	10 ad / 1 pk
	01 040903	FORZA EFOR YAYLI KAPI KOLU (RENKL ) FORZA EFOR DOOR HANDLE (COLORED)	WD37-FK.903	10 ad / 1 pk
	01 040904	FORZA EFOR YAYLI KAPI KOLU (NATUREL) FORZA EFOR DOOR HANDLE (NATURAL)	WD37-FK.904	10 ad / 1 pk
	01 020809	FORZA YANKI EKSENEL PENCERE KOLU (PRES) FORZA YANKI AXIAL WINDOW HANDLE (PRESS)	WD37-EK.809	50 ad / 1 pk
	01 020810	FORZA YANKI EKSENEL PENCERE KOLU (NATUREL) FORZA YANKI AXIAL WINDOW HANDLE (NATURAL)	WD37-EK.810	50 ad / 1 pk
	01 020811	FORZA YANKI EKSENEL PENCERE KOLU (BEYAZ) FORZA YANKI AXIAL WINDOW HANDLE (WHITE)	WD37-EK.811	50 ad / 1 pk
	01 020812	FORZA YANKI EKSENEL PENCERE KOLU (RENKL ) FORZA YANKI AXIAL WINDOW HANDLE (COLORED)	WD37-EK.812	50 ad / 1 pk
	01 020702	FORZA EFOR EKSENEL PENCERE KOLU (BEYAZ) FORZA EFOR AXIAL WINDOW HANDLE (WHITE)	WD37-FPK.702	20 ad / 1 pk
	01 020703	FORZA EFOR EKSENEL PENCERE KOLU (RENKL ) FORZA EFOR AXIAL WINDOW HANDLE (COLORED)	WD37-FPK.703	20 ad / 1 pk
	01 020803	FORZA EFOR EKSENEL PENCERE KOLU (NATUREL) FORZA EFOR AXIAL WINDOW HANDLE (NATURAL)	WD37-FPK.803	20 ad / 1 pk
	01 031100	AKBANK KAPI KOLU (PRES) AKBANK DOOR HANDLE (PRESS)	WD37-AK.100	10 ad / 1 pk
	01 031101	AKBANK KAPI KOLU (ELOKSALLI) AKBANK DOOR HANDLE (ANODIZED)	WD37-AK.101	10 ad / 1 pk
	01 031102	AKBANK KAPI KOLU (BEYAZ) AKBANK DOOR HANDLE (WHITE)	WD37-AK.102	10 ad / 1 pk
	01 031103	AKBANK KAPI KOLU (RENKL ) AKBANK DOOR HANDLE (COLORED)	WD37-AK.103	10 ad / 1 pk
	01 030901	YARIM AY KAPI KOLU (ELOKSALLI) SEMI-CIRCULAR DOOR HANDLE (ANODIZED)	WD37-YAK.901	10 ad / 1 pk
	01 030902	YARIM AY KAPI KOLU (B. BOYALI) SEMI-CIRCULAR DOOR HANDLE (PAINTED)	WD37-YAK.902	10 ad / 1 pk
	01 030903	YARIM AY KAPI KOLU (RENKL ) SEMI-CIRCULAR DOOR HANDLE (COLORED)	WD37-YAK.903	10 ad / 1 pk
	01 032210	90 CM PLEKS BANT KOL (PRES) 90 CM HANDLE (PRESS)	WD37-LBK.210	10 ad / 1 pk
	01 032211	100 CM PLEKS BANT KOL (PRES) 100 CM HANDLE (PRESS)	WD37-LBK.211	10 ad / 1 pk



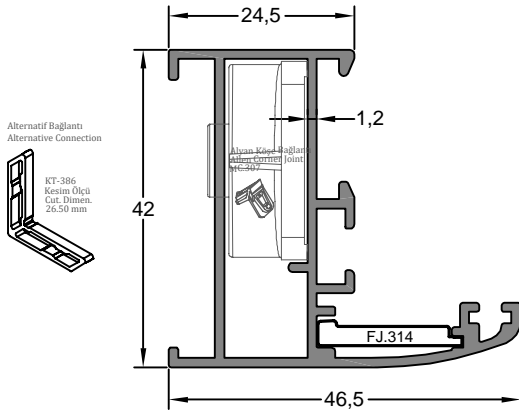
AKSESUAR ACCESSORY	STOK KODU REFERENCE CODE	AKSESUAR ADI DESCRIPTION	AKSESUAR KODU PRODUCT CODE	PAKET PACK
	01 031199	50 CM YAY KOL (PRES) 50 CM ARROW HANDLE (PRESS)	WD37-YK.199	10 ad / 1 pk
	01 031200	50 CM YAY KOL (BEYAZ) 50 CM ARROW HANDLE (WHITE)	WD37-YK.200	10 ad / 1 pk
	01 031201	50 CM YAY KOL (ELOKSALLI) 50 CM ARROW HANDLE (ANODIZED)	WD37-YK.201	10 ad / 1 pk
	01 031202	50 CM YAY KOL (RENKL ) 50 CM ARROW HANDLE (COLORED)	WD37-YK.202	10 ad / 1 pk
	01 030401	KIVRIK KOL (ELOKSALLI) CONVOLUTED HANDLE (ANODIZED)	WD37-VK.401	10 ad / 1 pk
	01 030300	25 mm 20 cm KIVRIK KOL (PRES) SEMI-CIRCULAR HANDLE (PRESS)	WD37-KKP.300	10 ad / 1 pk
	01 030400	25 mm 30 cm KIVRIK KOL (PRES) SEMI-CIRCULAR HANDLE (PRESS)	WD37-KKP.400	10 ad / 1 pk
	01 020820	FORZA YANKI EKSENEL PENCERE KOLU Ç FT D LL (NATUREL) FORZA YANKI AXIAL WINDOW HANDLE ( NATUREL)	WD37-FYK.820	20 ad / 1 pk
	01 020821	FORZA YANKI EKSENEL PENCERE KOLU Ç FT D LL (BEYAZ) FORZA YANKI AXIAL WINDOW HANDLE (WHITE)	WD37-FYK.821	20 ad / 1 pk
	01 020822	FORZA YANKI EKSENEL PENCERE KOLU Ç FT D LL (RENKL ) FORZA YANKI AXIAL WINDOW HANDLE (COLORED)	WD37-FYK.822	20 ad / 1 pk
	01 020823	FORZA YANKI EKSENEL PENCERE KOLU Ç FT D LL (PRES) FORZA YANKI AXIAL WINDOW HANDLE (PRESS)	WD37-FYK.823	20 ad / 1 pk
	01 011601	OVAL SER KAPI MENTE E (ELOKSALLI) OVAL SERIES DOOR HINGE (ANODIZED)	WD37-PM.601	10 ad / 1 pk
	01 011602	OVAL SER KAPI MENTE E (BEYAZ) OVAL SERIES DOOR HINGE (WHITE)	WD37-PM.602	10 ad / 1 pk
	01 011603	OVAL SER KAPI MENTE E (RENKL ) OVAL SERIES DOOR HINGE (COLORED)	WD37-PM.603	10 ad / 1 pk
	01 011301	OVAL SER PENCERE MENTE E (ELOKSALLI) OVAL SERIES WINDOW HINGE (ANODIZED)	WD37-PM.301	10 ad / 1 pk
	01 011302	OVAL SER PENCERE MENTE E (BEYAZ) OVAL SERIES WINDOW HINGE (WINDOW)	WD37-PM.302	10 ad / 1 pk
	01 011303	OVAL SER PENCERE MENTE E (RENKL ) OVAL SERIES WINDOW HINGE (COLORED)	WD37-PM.303	10 ad / 1 pk
	01 081000	AYARLI KADEMEL MAKAS 5 KADEME ADJUSTABLE TRUSS	WD37-KM.1000	10 ad / 1 pk
	01 081001	AYARLI KADEMEL MAKAS 3 KADEME ADJUSTABLE TRUSS	WD37-KM.1001	10 ad / 1 pk
	01 080800	ALM. OVAL SER VAS STAS MAKAS ALM. OVAL SERIES TRANSOM SCISSORS	WD37-VM.800	10 ad / 1 pk



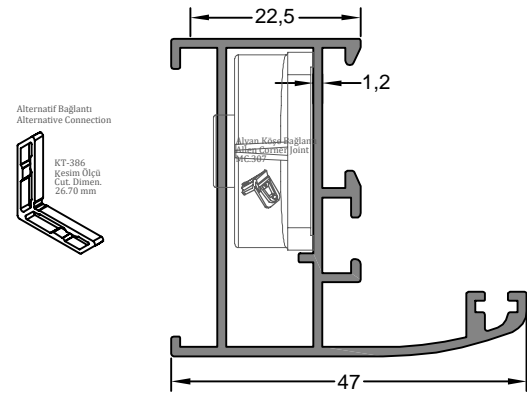
Kasa Profili	Profil Kodu	(kg/mt)	Jx cm <sup>4</sup>	Jy cm <sup>4</sup>
FRAME PROFILE	Profile Code	weight		
	13124	0,678	5,45	3,26



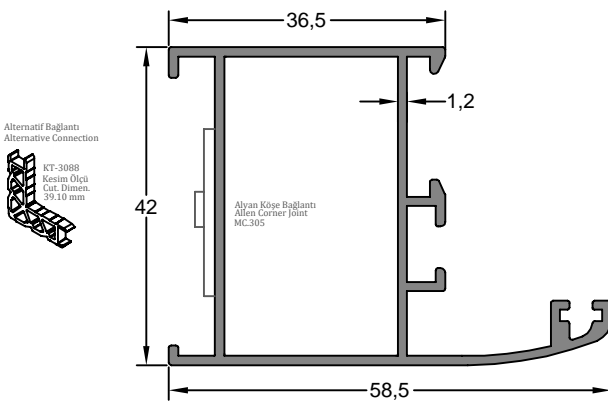
Kasa Profili	Profil Kodu	(kg/mt)	Jx cm <sup>4</sup>	Jy cm <sup>4</sup>
FRAME PROFILE	Profile Code	Weight		
	3915	0,572	2,75	4,07



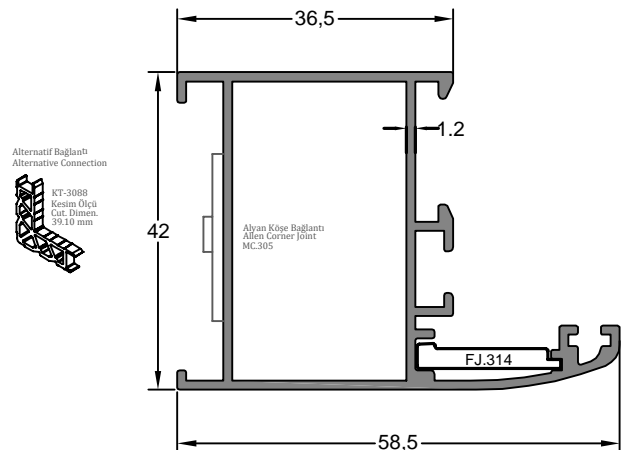
Kasa Profili	Profil Kodu	(kg/mt)	Jx cm <sup>4</sup>	Jy cm <sup>4</sup>
FRAME PROFILE	Profile Code	weight		
	707	0,649	3,36	5,36



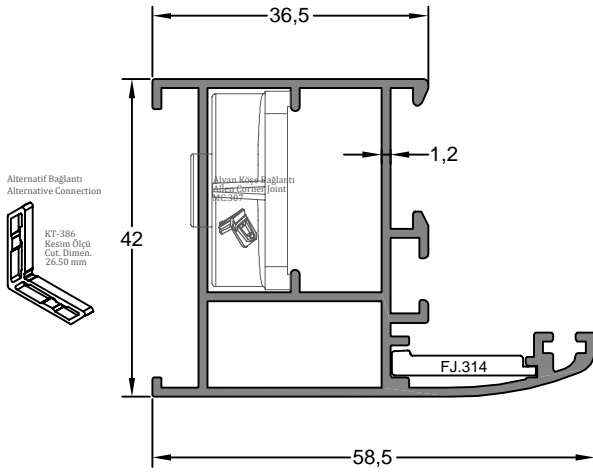
Kasa Profili	Profil Kodu	(kg/mt)	Jx cm <sup>4</sup>	Jy cm <sup>4</sup>
FRAME PROFILE	Profile Code	weight		
	766	0,632	3,44	5,29



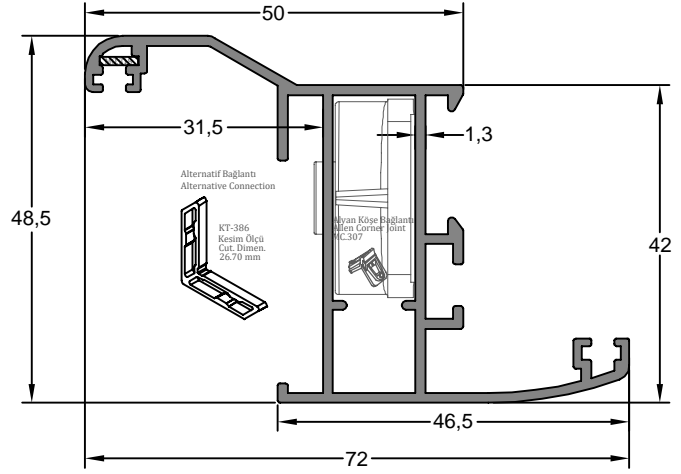
Kasa Profili	Profil Kodu	(kg/mt)	Jx cm <sup>4</sup>	Jy cm <sup>4</sup>
FRAME PROFILE	Profile Code	weight		
	794	0,700	6,73	6,46



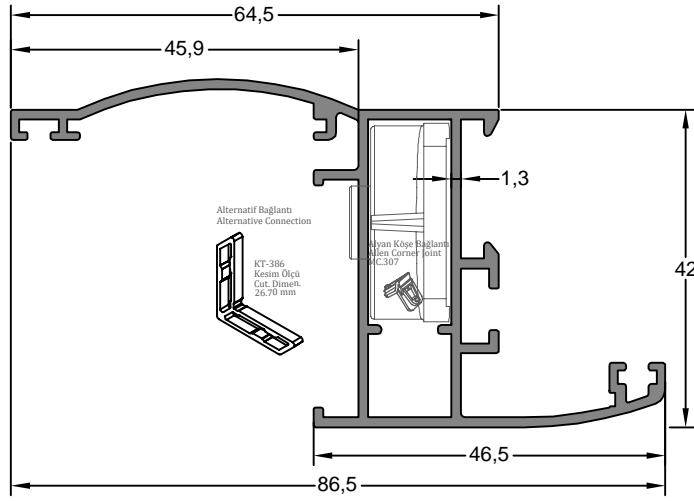
Kasa Profili	Profil Kodu	(kg/mt)	Jx cm <sup>4</sup>	Jy cm <sup>4</sup>
FRAME PROFILE	Profile Code	weight		
	596	0,719	6,81	6,59



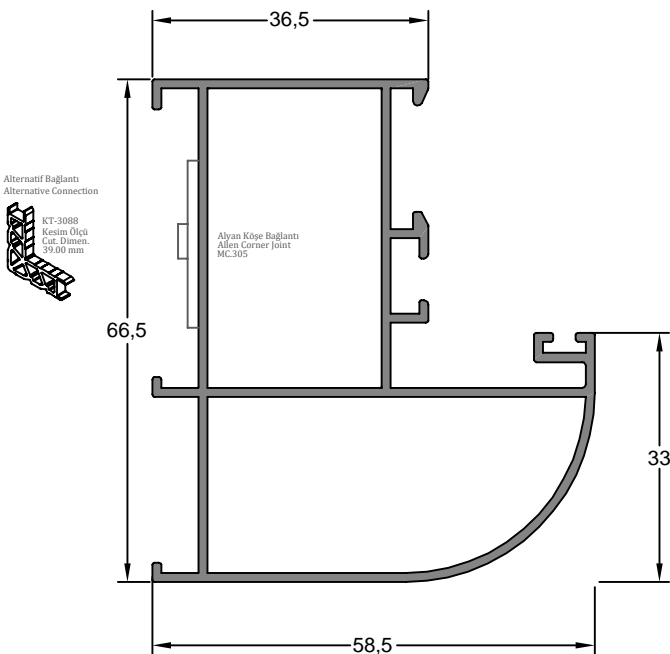
Kasa Profili	Profil Kodu	(kg/mt)	Jx cm <sup>4</sup>	Jy cm <sup>4</sup>
FRAME PROFILE	Profile Code	Weight		
	708	0,812	7,07	6,81



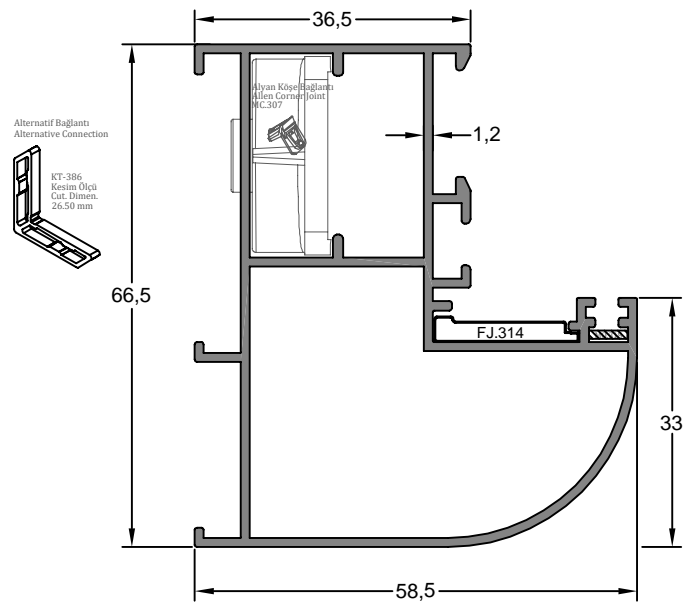
Kasa Profili	Profil Kodu	(kg/mt)	Jx cm <sup>4</sup>	Jy cm <sup>4</sup>
FRAME PROFILE	Profile Code	Weight		
	762	0,833	8,57	9,15



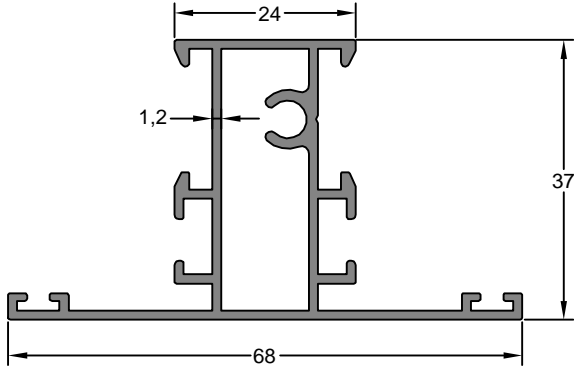
Kasa Profili	Profil Kodu	(kg/mt)	Jx cm <sup>4</sup>	Jy cm <sup>4</sup>
FRAME PROFILE	Profile Code	Weight		
	6237	0,875	9,08	12,49



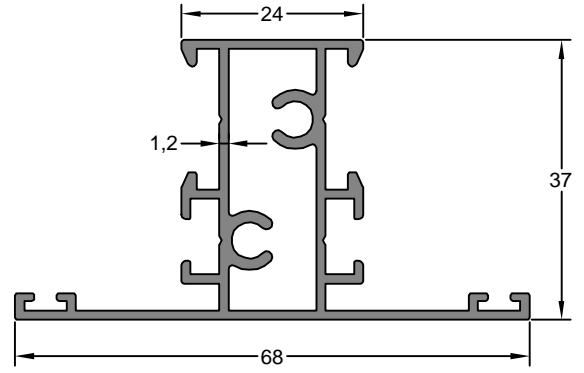
Kasa Profili	Profil Kodu	(kg/mt)	Jx cm <sup>4</sup>	Jy cm <sup>4</sup>
FRAME PROFILE	Profile Code	Weight		
	763	1,021	11,71	17,15



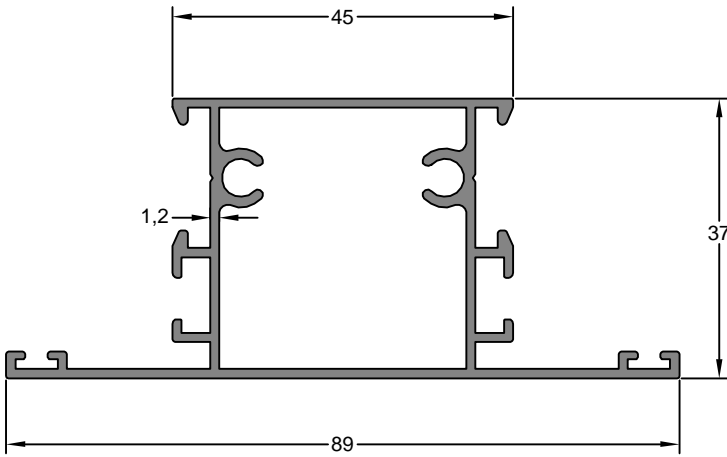
Kasa Profili	Profil Kodu	(kg/mt)	Jx cm <sup>4</sup>	Jy cm <sup>4</sup>
FRAME PROFILE	Profile Code	Weight		
	709	1,045	11,69	17,45



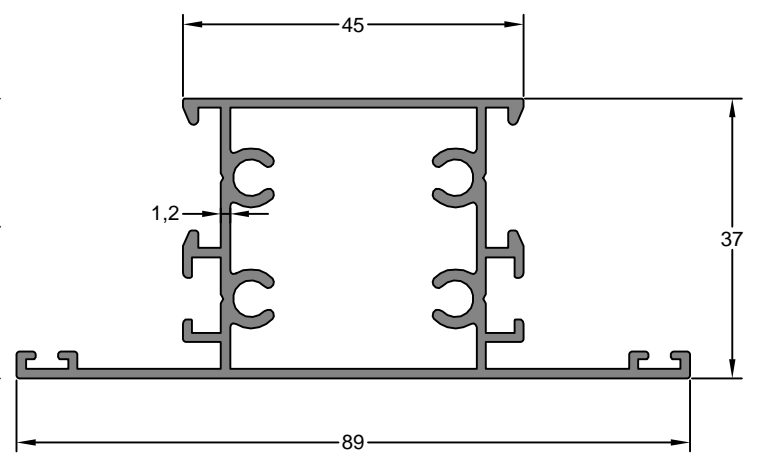
Orta Kayıt Profili	Profil Kodu	(kg/mt)	Jx cm <sup>4</sup>	Jy cm <sup>4</sup>
MULLION PROFILE	Profile Code	weight		
	769	0,752	4,86	9,69



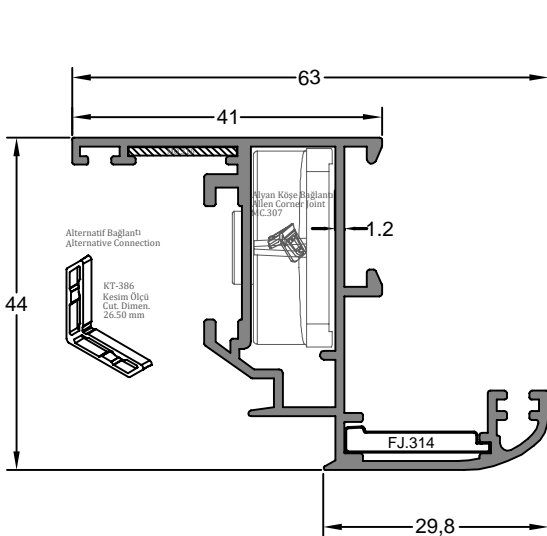
Orta Kayıt Profili	Profil Kodu	(kg/mt)	Jx cm <sup>4</sup>	Jy cm <sup>4</sup>
MULLION PROFILE	Profile Code	weight		
	713	0,809	4,91	5,64



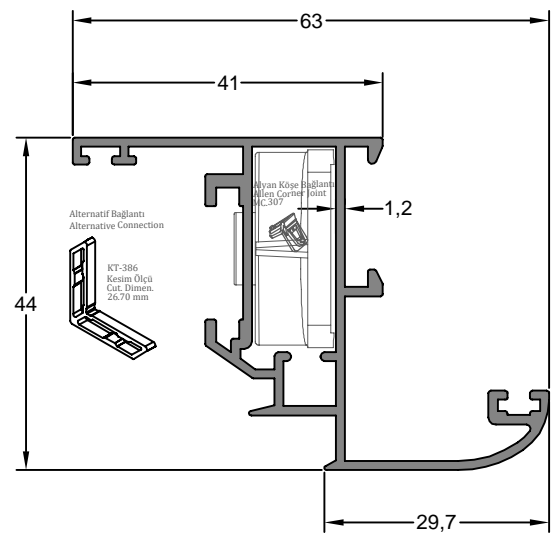
Orta Kayıt Profili	Profil Kodu	(kg/mt)	Jx cm <sup>4</sup>	Jy cm <sup>4</sup>
MULLION PROFILE	Profile Code	weight		
	767	0,945	6,82	15,83



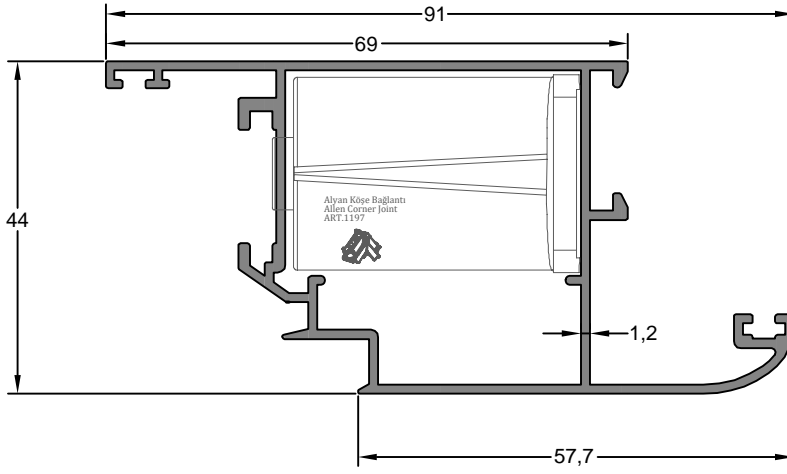
Orta Kayıt Profili	Profil Kodu	(kg/mt)	Jx cm <sup>4</sup>	Jy cm <sup>4</sup>
MULLION PROFILE	Profile Code	Weight		
	714	1,057	6,96	16,62



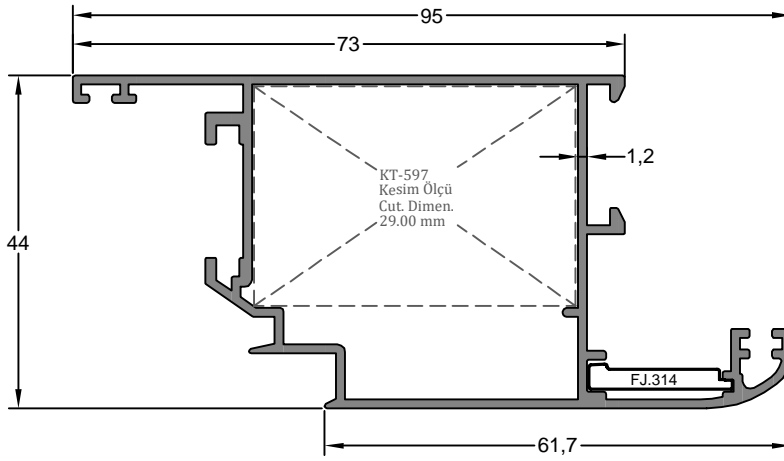
Kanat Profili	Profil Kodu	(kg/mt)	Jx cm <sup>4</sup>	Jy cm <sup>4</sup>
SASH PROFILE	Profile Code	Weight		
	710	0,757	5,95	7,04



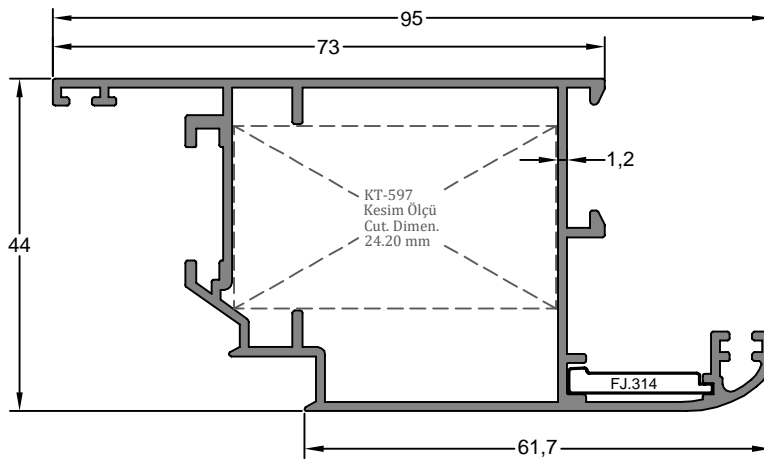
Kanat Profili	Profil Kodu	(kg/mt)	Jx cm <sup>4</sup>	Jy cm <sup>4</sup>
SASH PROFILE	Profile Code	Weight		
	773	0,728	5,68	6,51



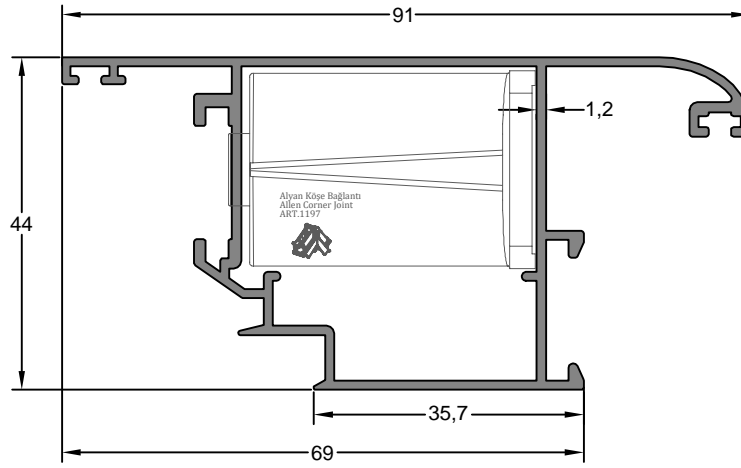
çe Açılır Kanat Profili INWARD OPENING SASH PROFILE	Profil Kodu Profile Code	(kg/mt) Weight	Jx cm <sup>4</sup>	Jy cm <sup>4</sup>
	768	0,933	20,14	9,87



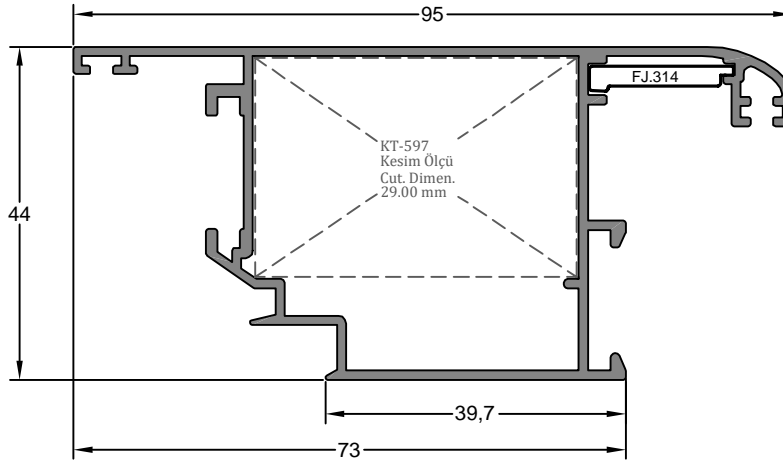
çe Açılır Kanat Profili INWARD OPENING SASH PROFILE	Profil Kodu Profile Code	(kg/mt) Weight	Jx cm <sup>4</sup>	Jy cm <sup>4</sup>
	692	0,977	23,99	10,69



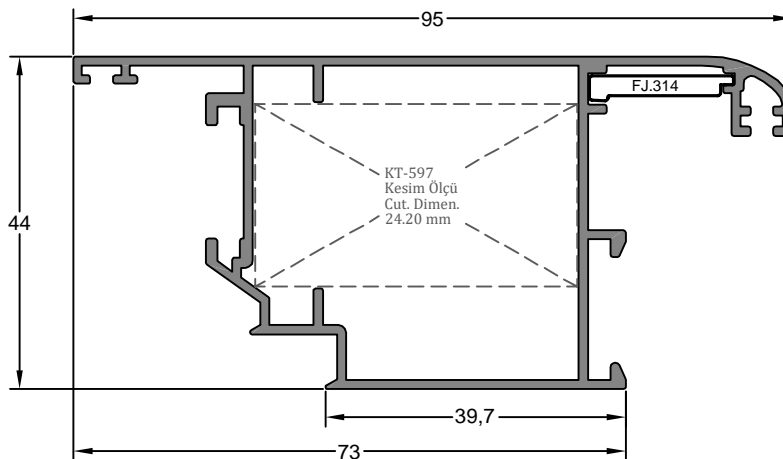
çe Açılır Kanat Profili INWARD OPENING SASH PROFILE	Profil Kodu Profile Code	(kg/mt) Weight	Jx cm <sup>4</sup>	Jy cm <sup>4</sup>
	600	0,997	24,15	10,94



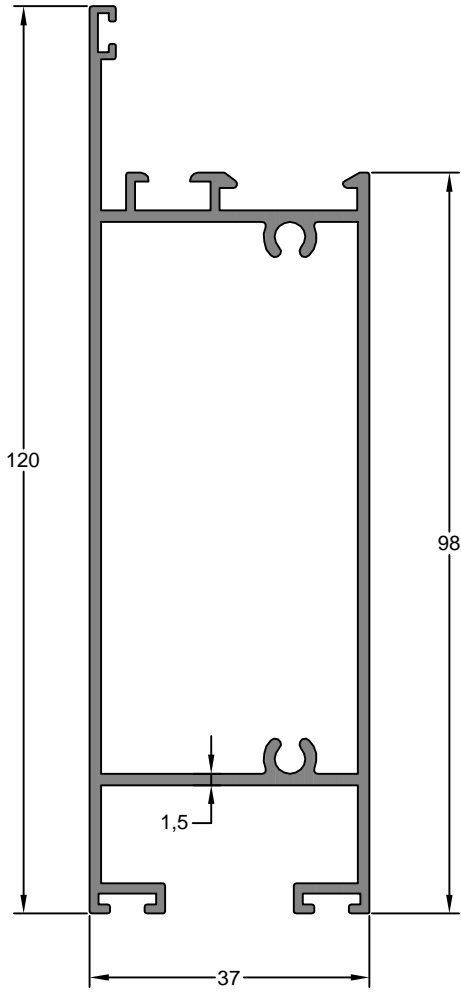
Dış Açılır Kanat Profili	Profil Kodu	(kg/mt)	Jx cm <sup>4</sup>	Jy cm <sup>4</sup>
OUTWARD OPENING SASH PROFILE	Profile Code	Weight		
	795	0,933	20,14	9,06



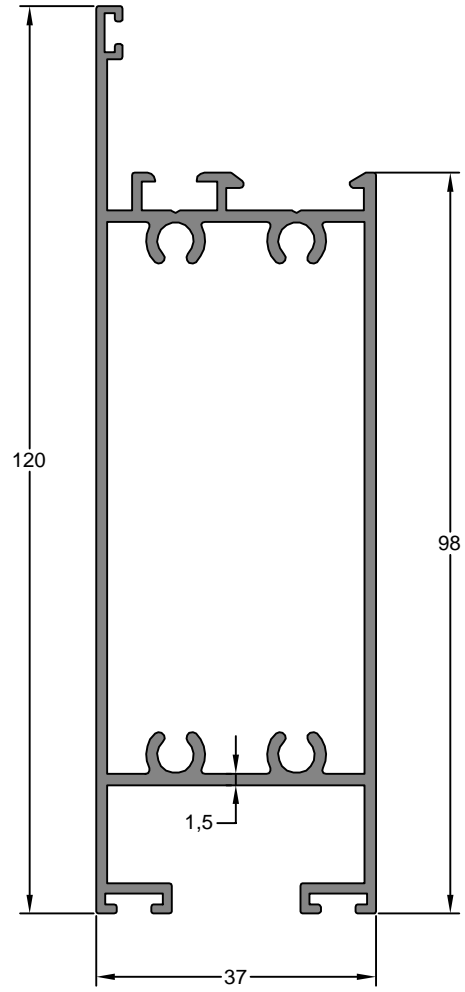
Dış Açılır Kanat Profili	Profil Kodu	(kg/mt)	Jx cm <sup>4</sup>	Jy cm <sup>4</sup>
OUTWARD OPENING SASH PROFILE	Profile Code	Weight		
	691	0,977	23,99	9,69



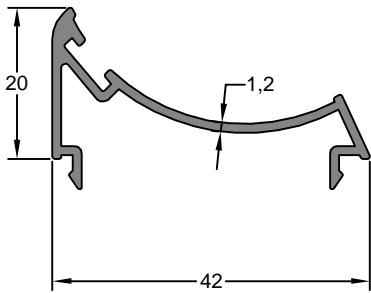
Dış Açılır Kanat Profili	Profil Kodu	(kg/mt)	Jx cm <sup>4</sup>	Jy cm <sup>4</sup>
OUTWARD OPENING SASH PROFILE	Profile Code	Weight		
	599	0,997	24,15	9,87



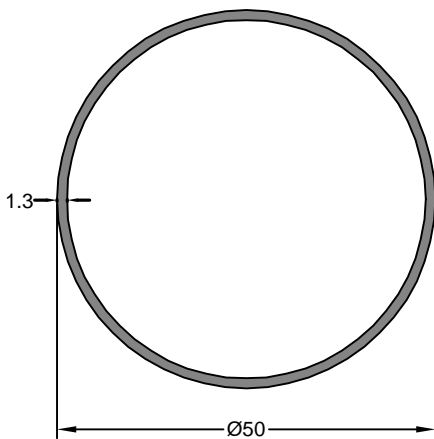
Etek Profili	Profil Kodu	(kg/mt)	Jx cm <sup>4</sup>	Jy cm <sup>4</sup>
BOTTOM PROFILE	752	1,413	66,93	12,28



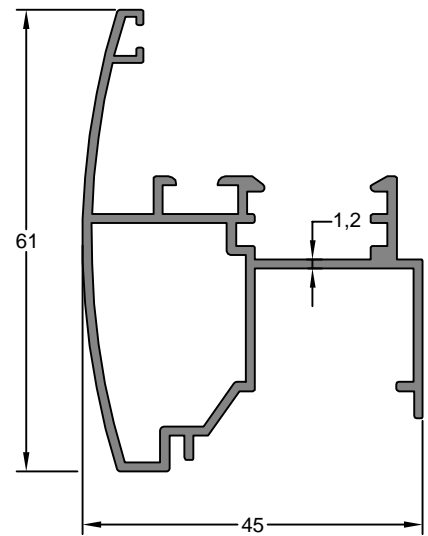
Etek Profili	Profil Kodu	(kg/mt)	Jx cm <sup>4</sup>	Jy cm <sup>4</sup>
BOTTOM PROFILE	715	1,532	71,95	12,55



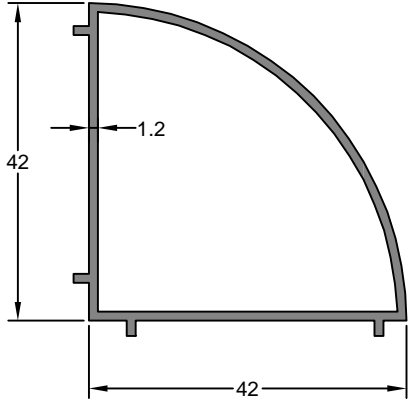
Kö e Dönü Profili	Profil Kodu	(kg/mt)
CORNER PROFILE	759	0,307



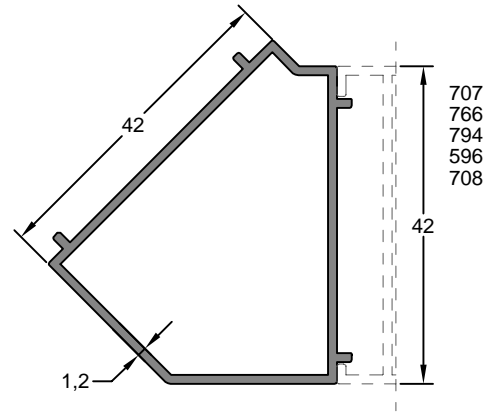
Kö e Dönü Profili	Profil Kodu	(kg/mt)
CORNER PROFILE	755	0,541



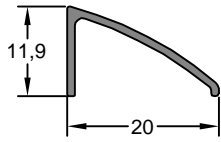
Adaptör Profili	Profil Kodu	(kg/mt)
ADAPTER PROFILE	760	0,724



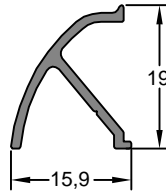
Kö e Dönü Profili	Profil Kodu	(kg/mt)	Jx cm <sup>4</sup>	Jy cm <sup>4</sup>
CORNER PROFILE	Profile Code	Weight		
	2240	0,499	4,25	4,25



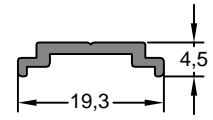
Kö e Dönü Profili	Profil Kodu	(kg/mt)	Jx cm <sup>4</sup>	Jy cm <sup>4</sup>
CORNER PROFILE	Profile Code	Weight		
	758	0,460	2,74	3,72



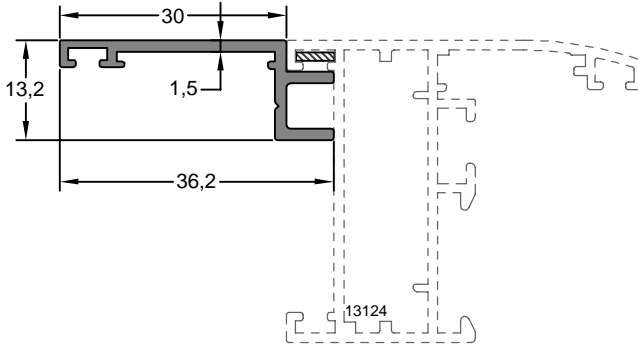
Damlalık Profili	Profil Kodu	(kg/mt)
SILL PROFILE	Profile Code	Weight
	4242	0,094



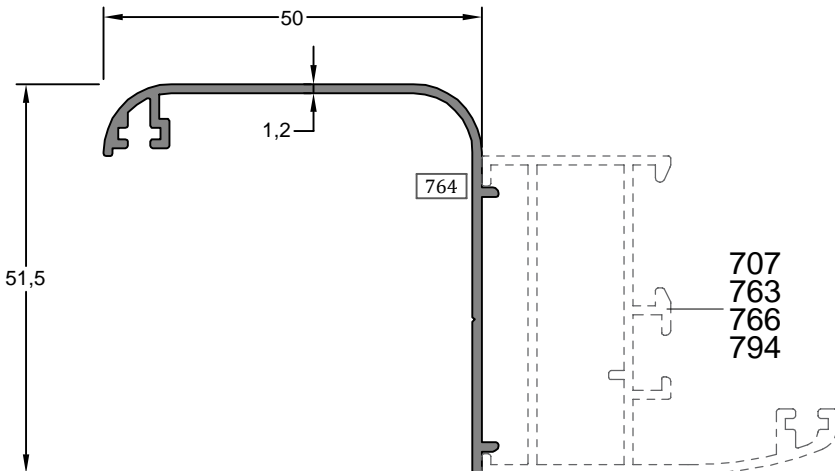
Damlalık Profili	Profil Kodu	(kg/mt)
SILL PROFILE	Profile Code	Weight
	7021	0,140



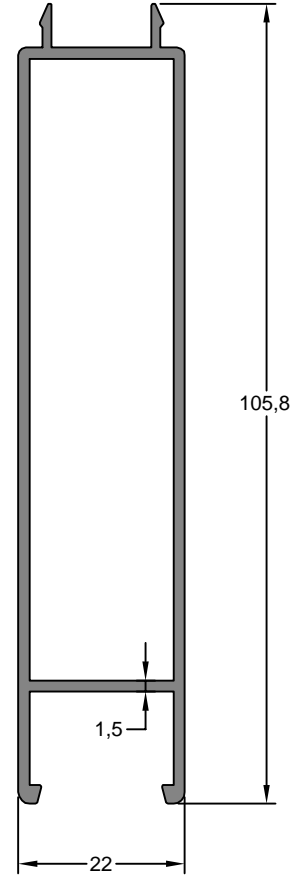
Tij Profili	Profil Kodu	(kg/mt)
STEM BAR PROFILE	Profile Code	Weight
	8241	0,099



Pervaz Profili	Profil Kodu	(kg/mt)
SILL PROFILE	Profile Code	Weight
	13123	0,236

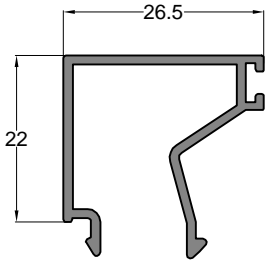


Pervaz Profili	Profil Kodu	(kg/mt)
SILL PROFILE	Profile Code	Weight
	764	0,385

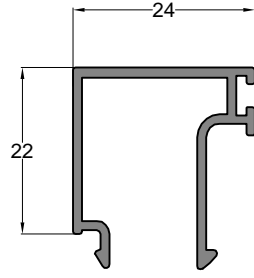


Lambri Profili	Profil Kodu	(kg/mt)
PANELING PROFILE	Profile Code	Weight
	785	1,017

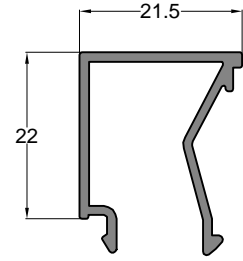




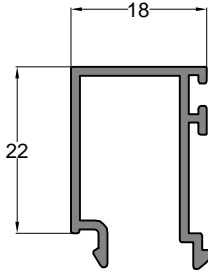
Cam Çıtası	Profil Kodu	(kg/mt)
GLAZING BEAD	Profile Code	Weight
	792	0,301



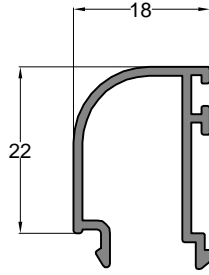
Cam Çıtası	Profil Kodu	(kg/mt)
GLAZING BEAD	Profile Code	Weight
	7023	0,294



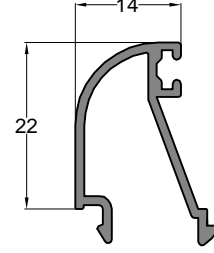
Cam Çıtası	Profil Kodu	(kg/mt)
GLAZING BEAD	Profile Code	Weight
	770	0,270



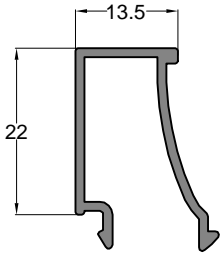
Cam Çıtası	Profil Kodu	(kg/mt)
GLAZING BEAD	Profile Code	Weight
	664	0,266



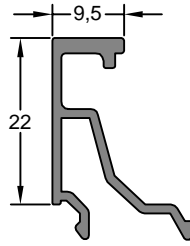
Cam Çıtası	Profil Kodu	(kg/mt)
GLAZING BEAD	Profile Code	Weight
	665	0,253



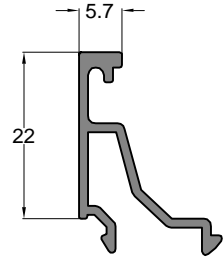
Cam Çıtası	Profil Kodu	(kg/mt)
GLAZING BEAD	Profile Code	Weight
	791	0,246



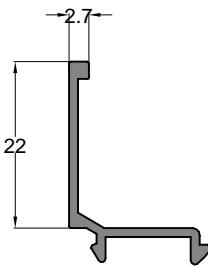
Cam Çıtası	Profil Kodu	(kg/mt)
GLAZING BEAD	Profile Code	Weight
	793	0,235



Cam Çıtası	Profil Kodu	(kg/mt)
GLAZING BEAD	Profile Code	Weight
	12699	0,243

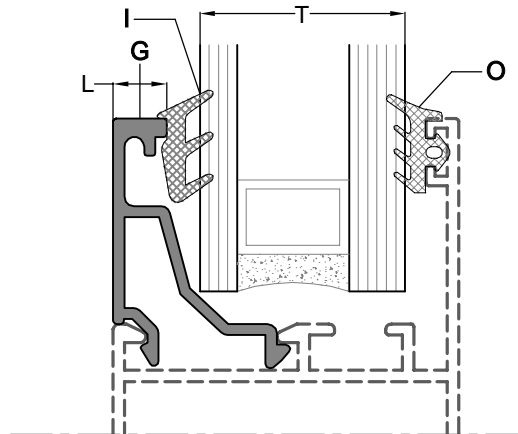


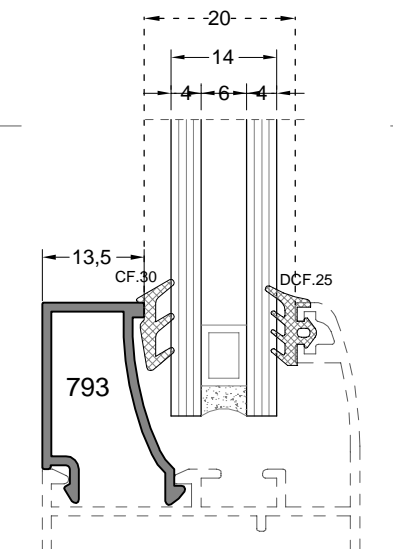
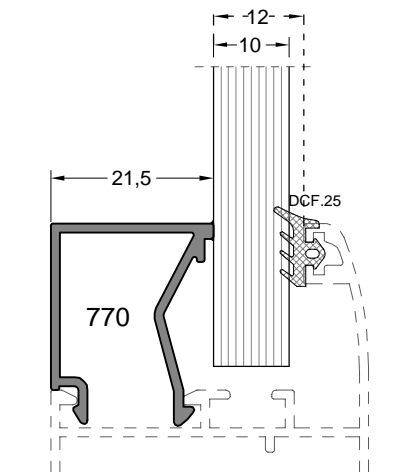
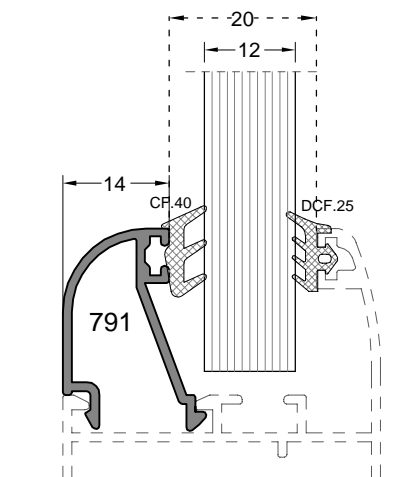
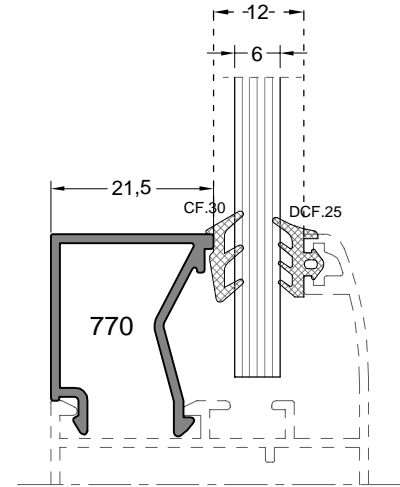
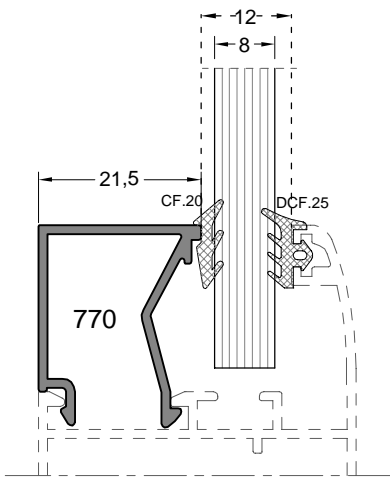
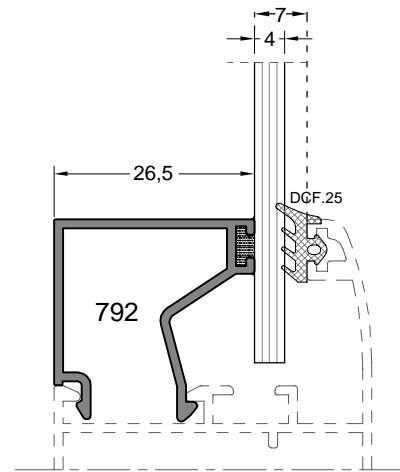
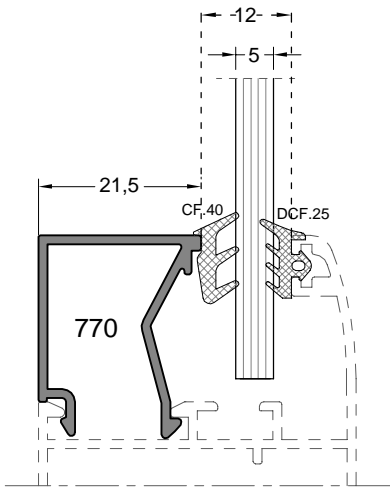
Cam Çıtası	Profil Kodu	(kg/mt)
GLAZING BEAD	Profile Code	Weight
	772	0,225

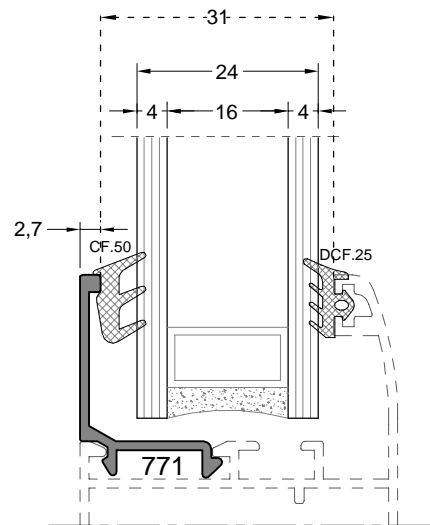
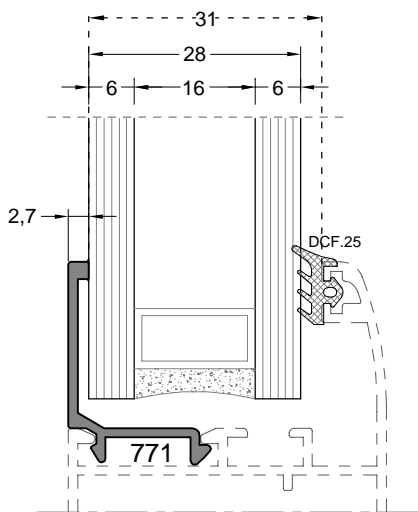
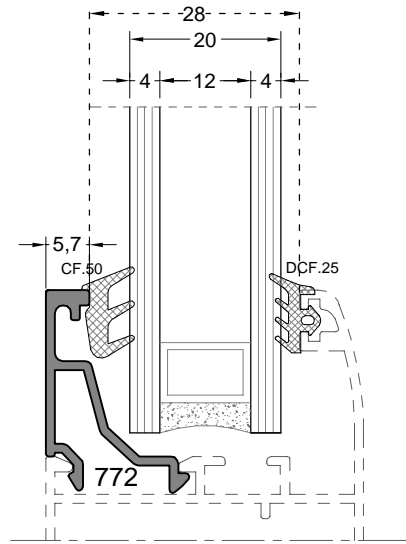
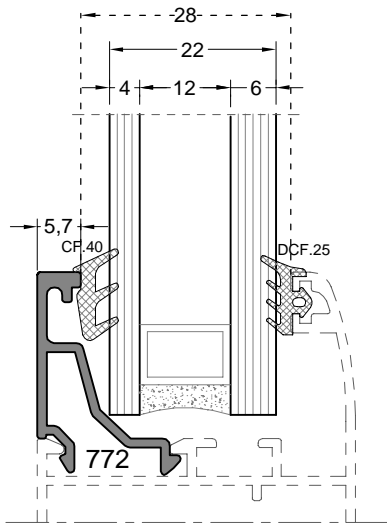
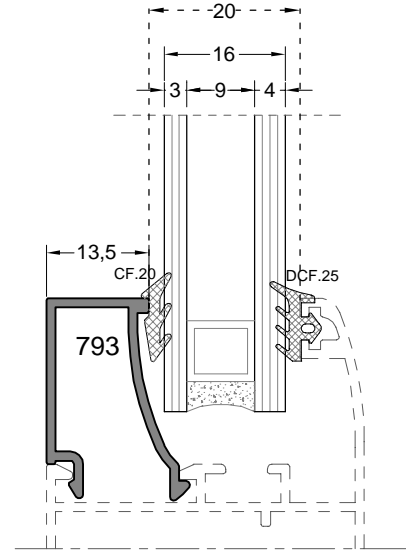
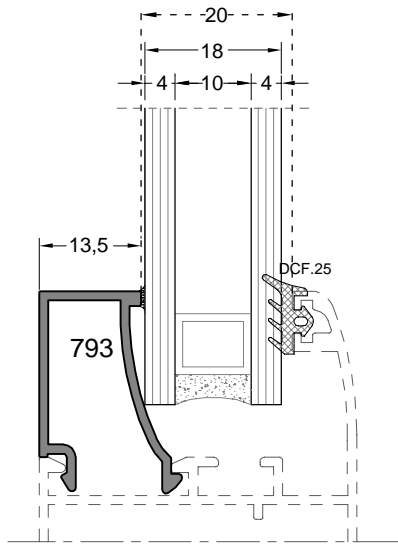


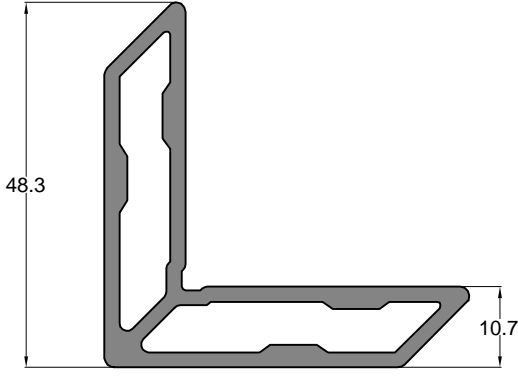
Cam Çıtası	Profil Kodu	(kg/mt)
GLAZING BEAD	Profile Code	Weight
	771	0,165

CAM ÇITASI GLAZING BEAD <b>(G)</b>	CAM ÇITASI UZUNLU ĞU GLAZING BEAD LENGTH <b>(L)</b>	Ç CAM F T L GLAZING GASKET(inside) <b>(I)</b>	CAM KALINLI ĞI GLASS THICKNESS <b>(T)</b>	DI CAM F T L GLAZING GASKET(outside) <b>(O)</b>
792	26,5 mm	S L KON	4 mm	DCF.25
770	21,5 mm	CF.40	5 mm	DCF.25
770	21,5 mm	CF.30	6 mm	DCF.25
770	21,5 mm	CF.30	8 mm	DCF.25
770	21,5 mm	S L KON	10 mm	DCF.25
791	14 mm	CF.40	12 mm	DCF.25
793	13,5 mm	CF.30	14 mm	DCF.25
793	13,5 mm	CF.20	16 mm	DCF.25
793	13,5 mm	S L KON	18 mm	DCF.25
772	5,7 mm	CF.50	20 mm	DCF.25
772	5,7 mm	CF.40	22 mm	DCF.25
771	2,7 mm	CF.50	24 mm	DCF.25
771	2,7 mm	S L KON	28 mm	DCF.25



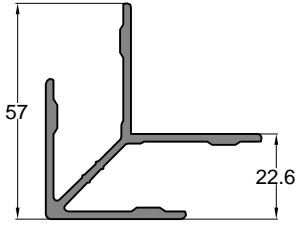






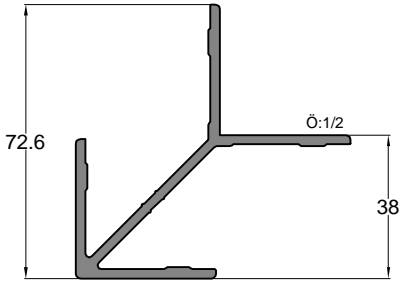
Kö e Çavu Profil Kodu Corner Connection Profile Code	Kullanıldı ı Profil Compatible Profile	Kesim Boyu (mm) Cutting Length (mm)
386	643	19.00 mm
	649	26.20 mm

Kö e Çavu Profili CORNER CONNECTION PROFILE	Profil Kodu Profile Code	(kg/mt) weight
	386	1,088



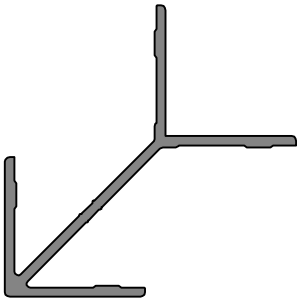
Kö e Çavu Profil Kodu Corner Connection Profile Code	Kullanıldı ı Profil Compatible Profile	Kesim Boyu (mm) Cutting Length (mm)
388	644	8.70 mm
	646	16.70 mm

Kö e Çavu Profili CORNER CONNECTION PROFILE	Profil Kodu Profile Code	(kg/mt) weight
	388	1,012

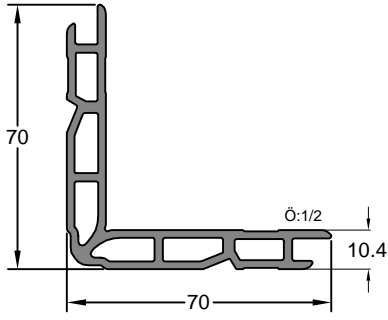


Kö e Çavu Profil Kodu Corner Connection Profile Code	Kullanıldı ı Profil Compatible Profile	Kesim Boyu (mm) Cutting Length (mm)
389	678	9.60 mm
	605	26.00 mm
	684	26.00 mm

Kö e Çavu Profili CORNER CONNECTION PROFILE	Profil Kodu Profile Code	(kg/mt) weight
	389	1,338

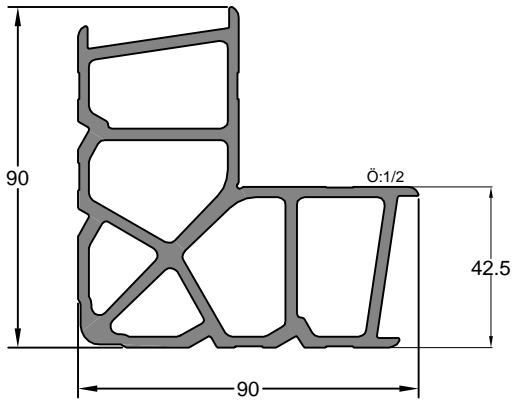


Kö e Çavu Profili CORNER CONNECTION PROFILE	Profil Kodu Profile Code	(kg/mt) weight
	390	1,381



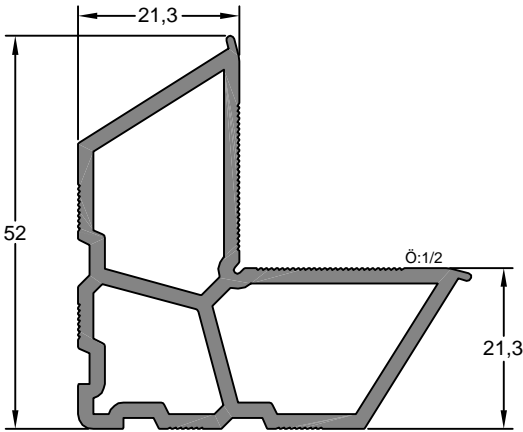
Kö e Takoz Profili CORNER WEDGE PROFILE	Profil Kodu Profile Code	(kg/mt) weight
	598	1,677

Kö e Takozu Profil Kodu Corner Wedge Profile Code	Kullanıldı ı Profil Compatible Profile	Kesim Boyu (mm) Cutting Length (mm)
598	641	19.00 mm
	643	19.00 mm
	638	19.00 mm
	649	26.20 mm
	647	26.20 mm
	601	26.20 mm



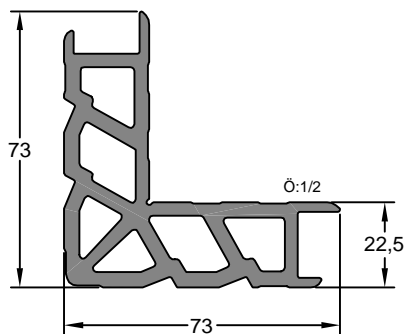
Kö e Takoz Profili CORNER WEDGE PROFILE	Profil Kodu Profile Code	(kg/mt) weight
	597	4,241

Kö e Takozu Profil Kodu Corner Wedge Profile Code	Kullanıldı ı Profil Compatible Profile	Kesim Boyu (mm) Cutting Length (mm)
597	652	26.00 mm
	677	26.00 mm



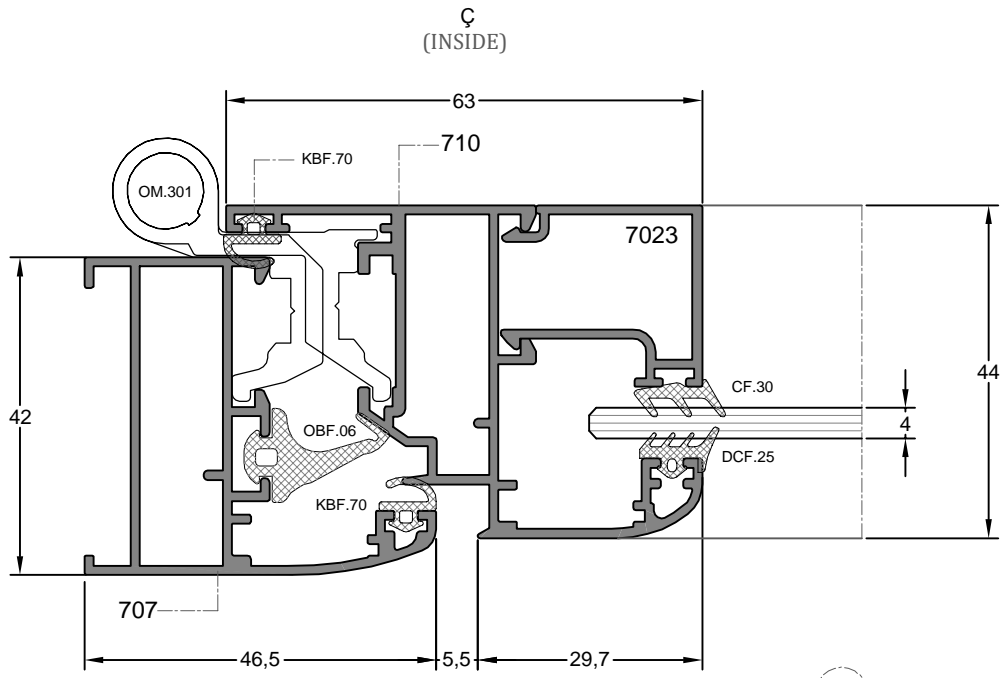
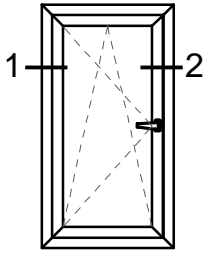
Kö e Takoz Profili CORNER WEDGE PROFILE	Profil Kodu Profile Code	(kg/mt) weight
	4777	4,598

Kö e Takozu Profil Kodu Corner Wedge Profile Code	Kullanıldı ı Profil Compatible Profile	Kesim Boyu (mm) Cutting Length (mm)
4777	652	26.00 mm
	677	26.00 mm



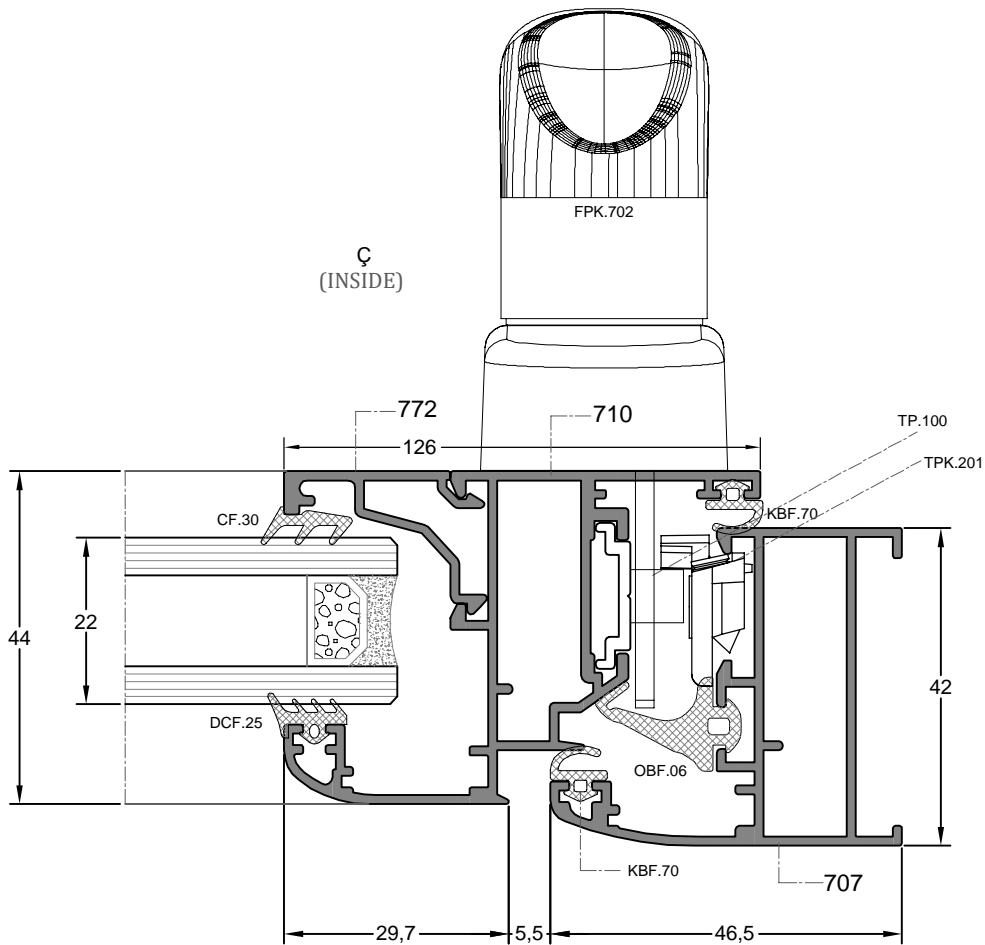
Kö e Takoz Profili CORNER WEDGE PROFILE	Profil Kodu Profile Code	(kg/mt) weight
	3088	3,498

Kö e Takozu Profil Kodu Corner Wedge Profile Code	Kullanıldı ı Profil Compatible Profile	Kesim Boyu (mm) Cutting Length (mm)
3088	652	26.00 mm
	677	26.00 mm



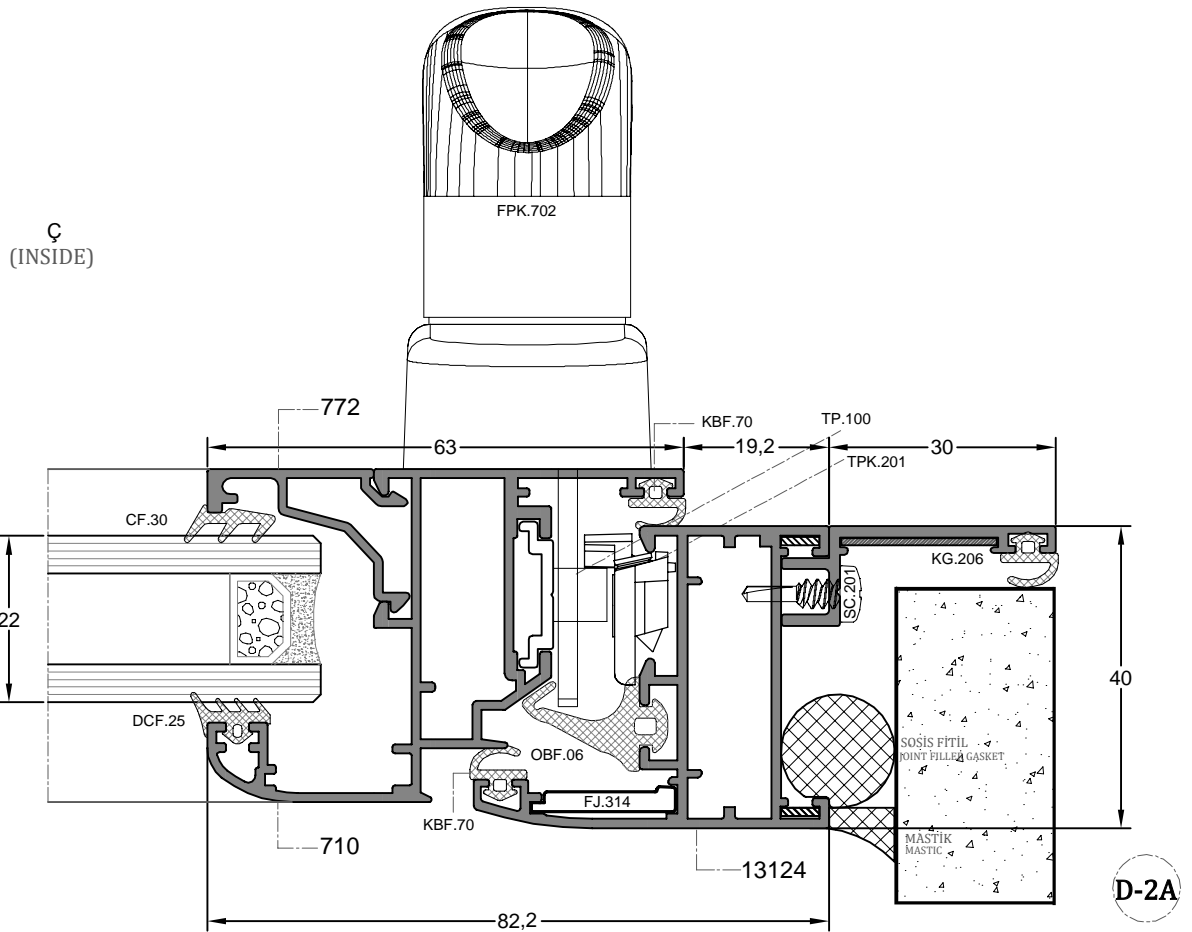
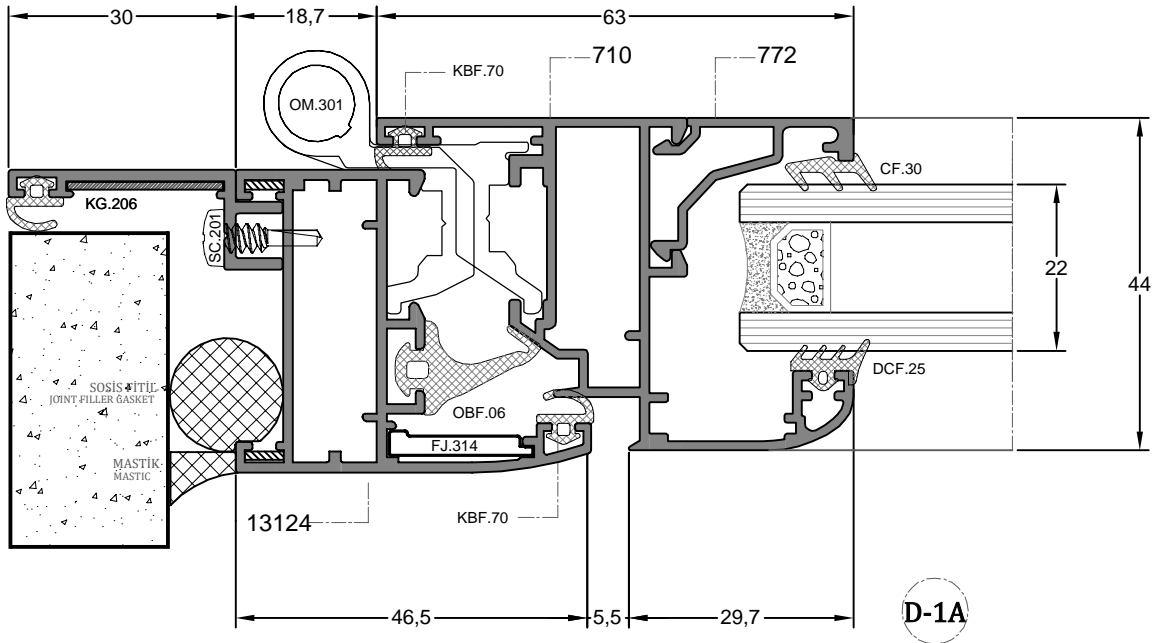
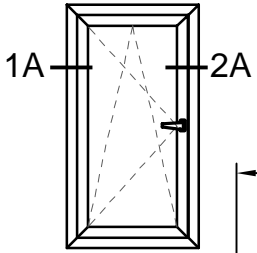
D-1

DI  
(OUTSIDE)

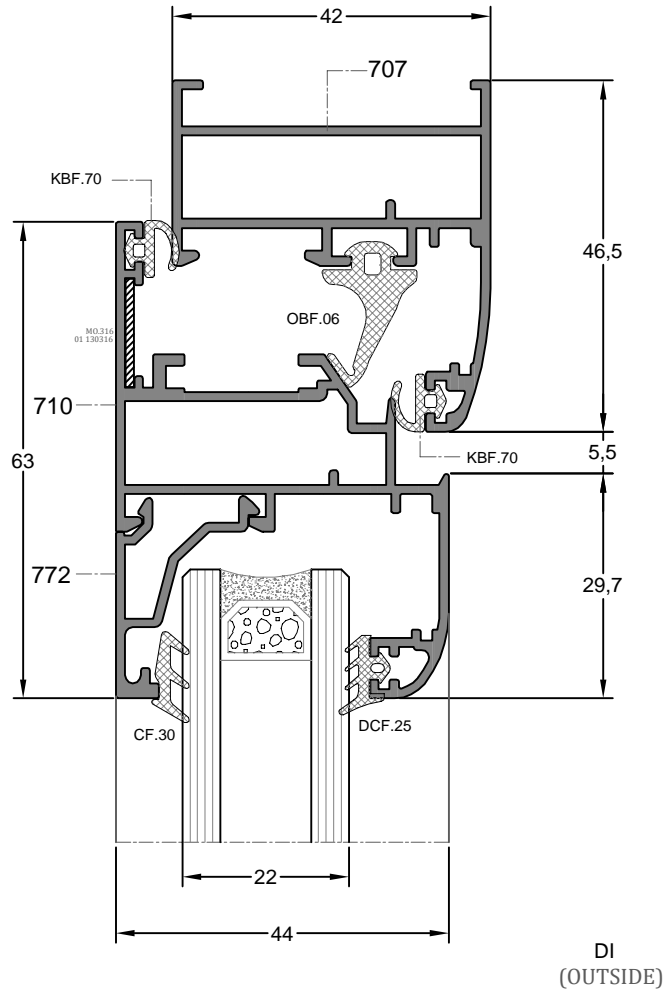
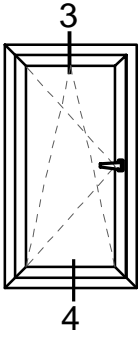


D-2

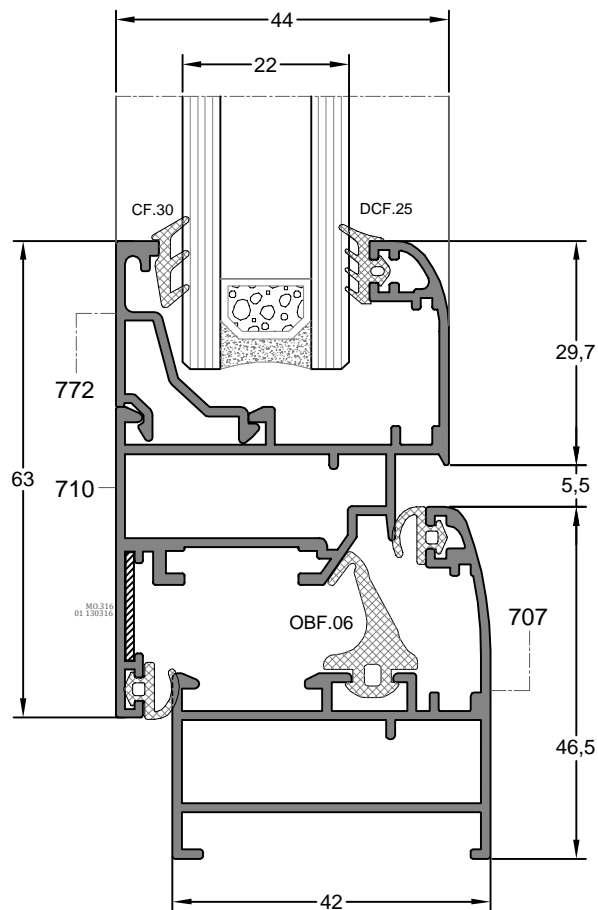
DI  
(OUTSIDE)

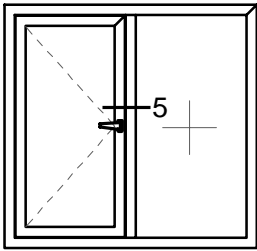




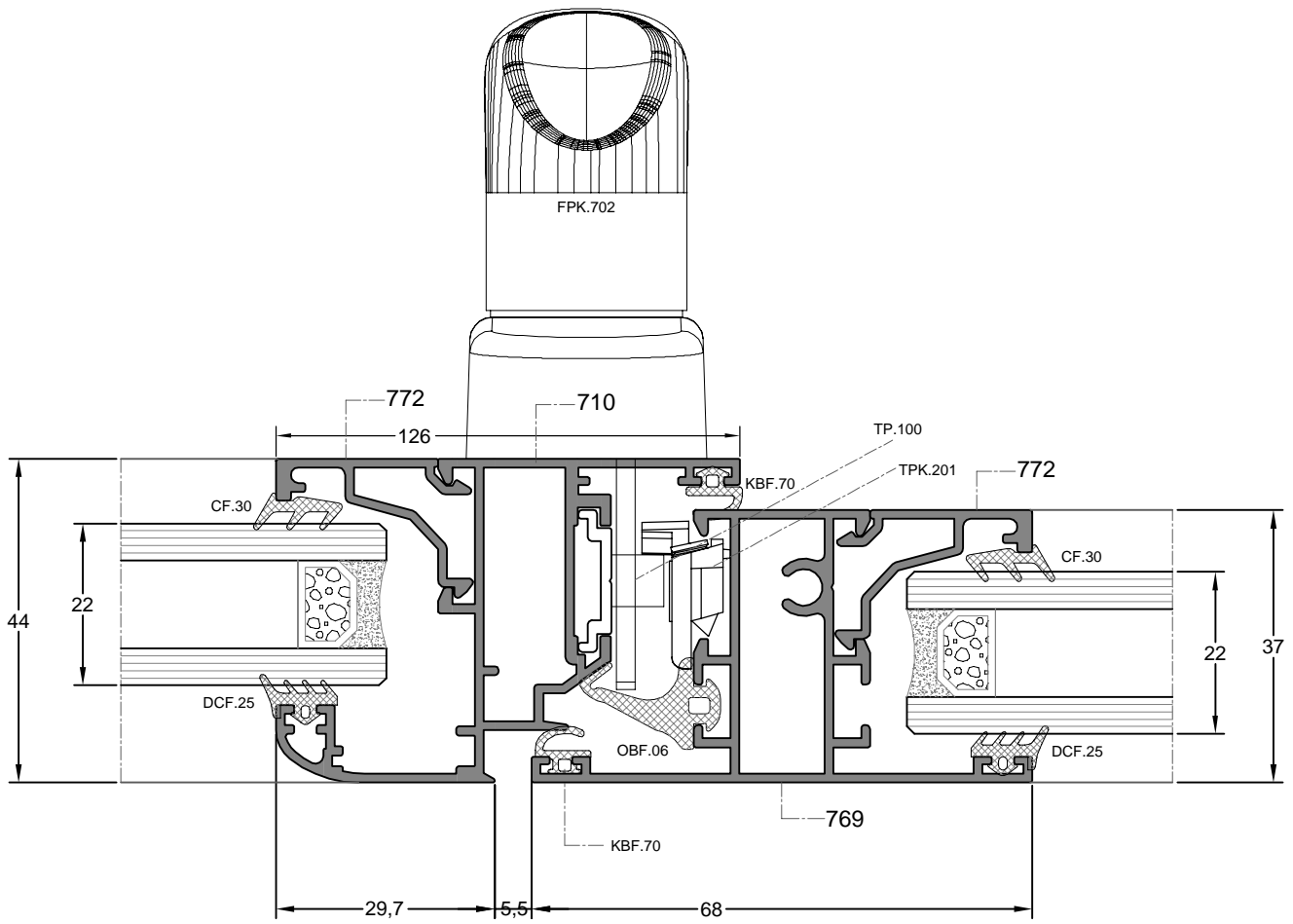


D-3

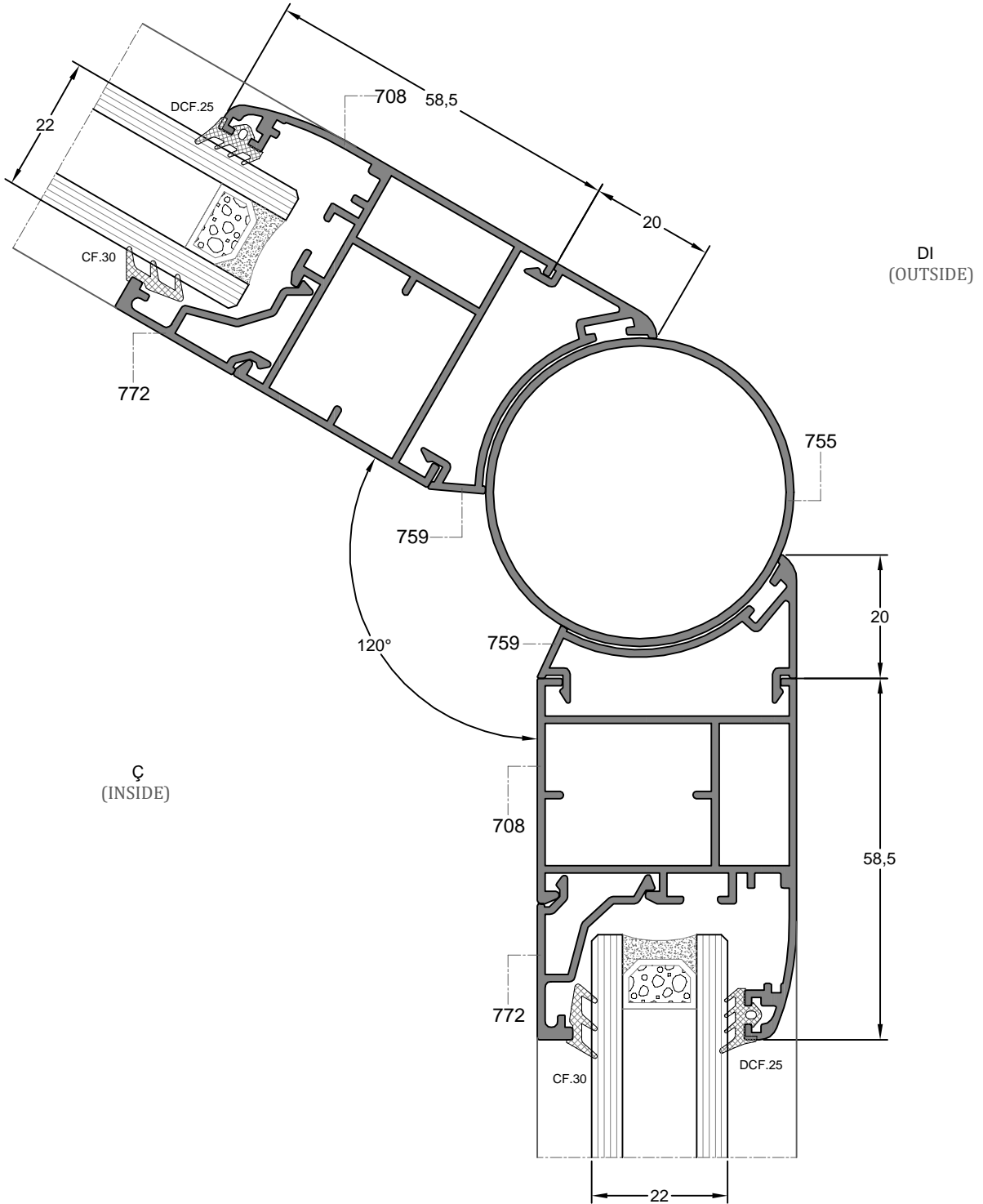
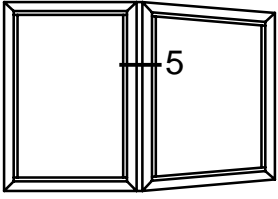


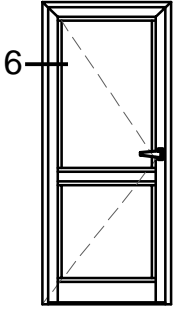


Ç  
(INSIDE)

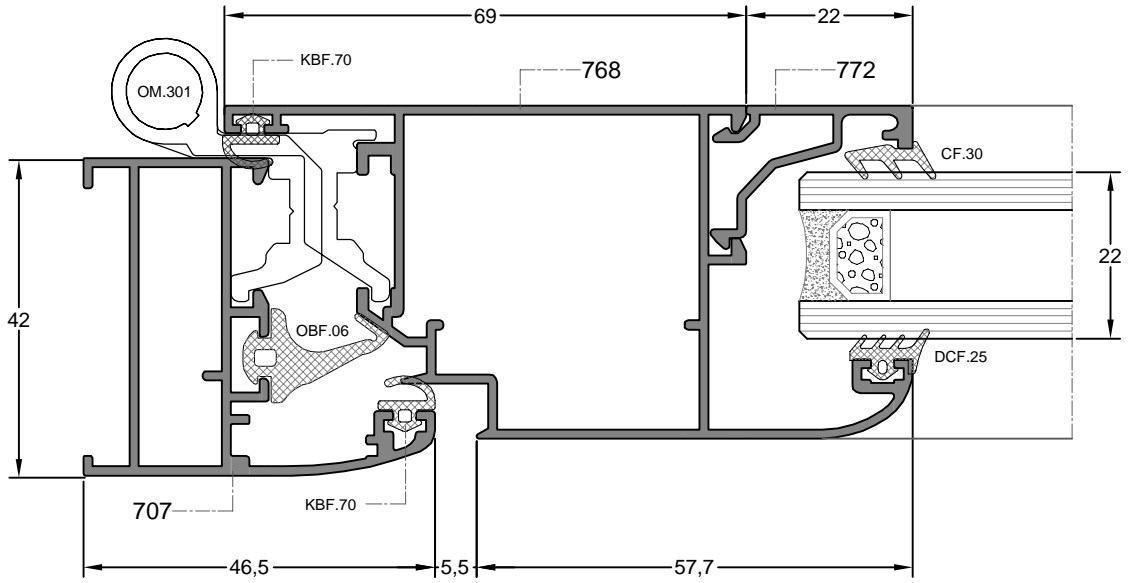


DI  
(OUTSIDE)



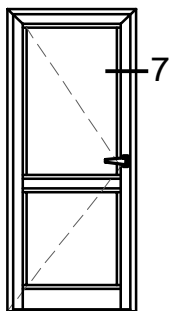


Ç  
(INSIDE)

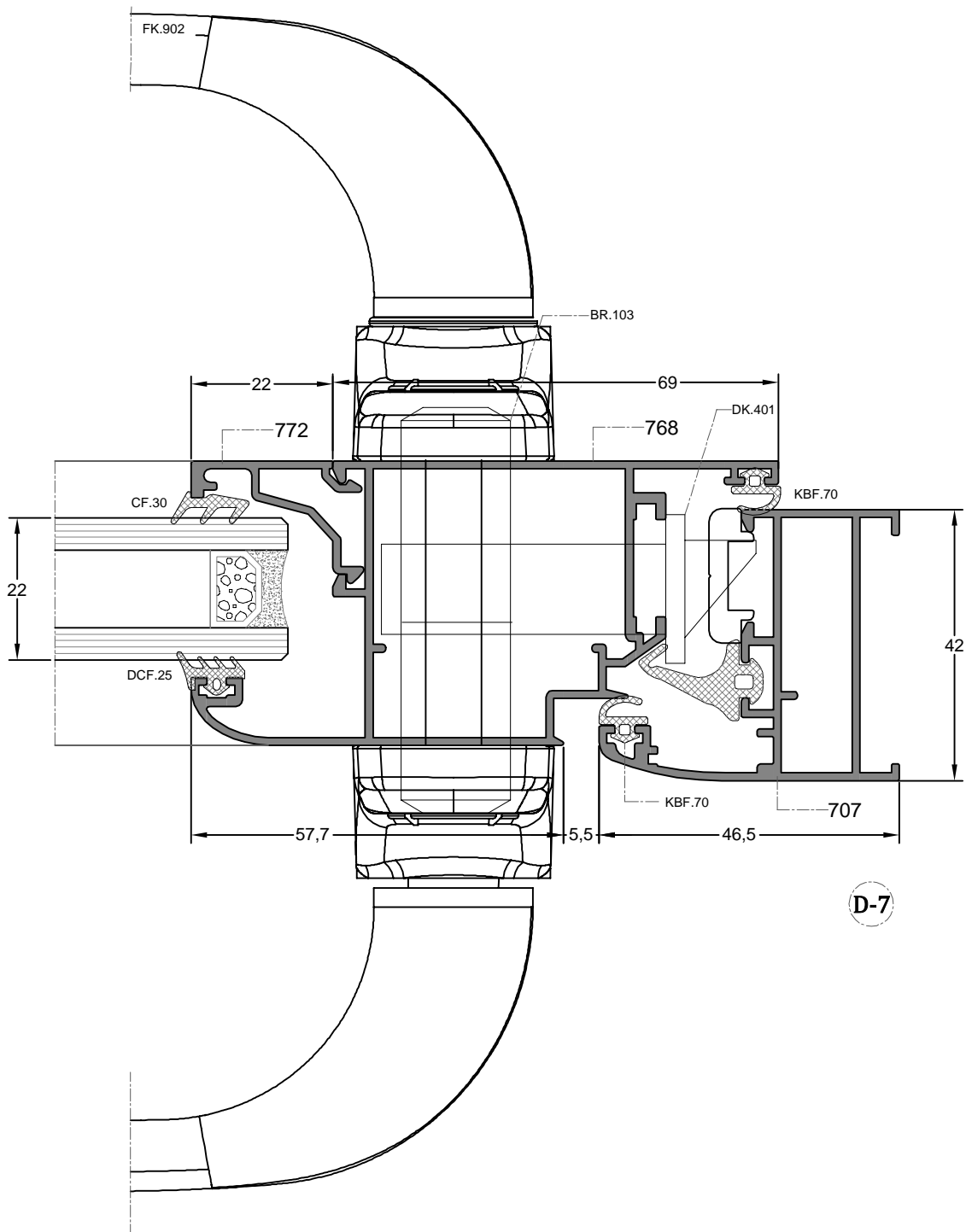


D-6

DI  
(OUTSIDE)

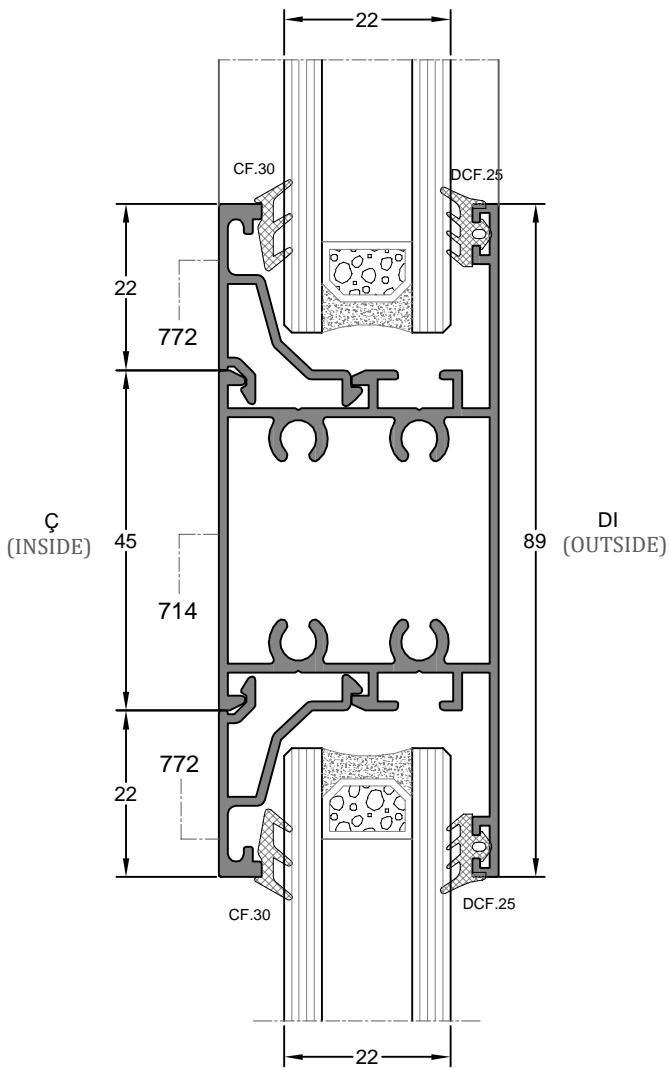
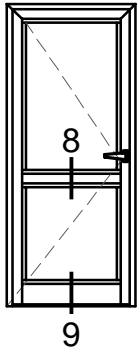


Ç  
(INSIDE)

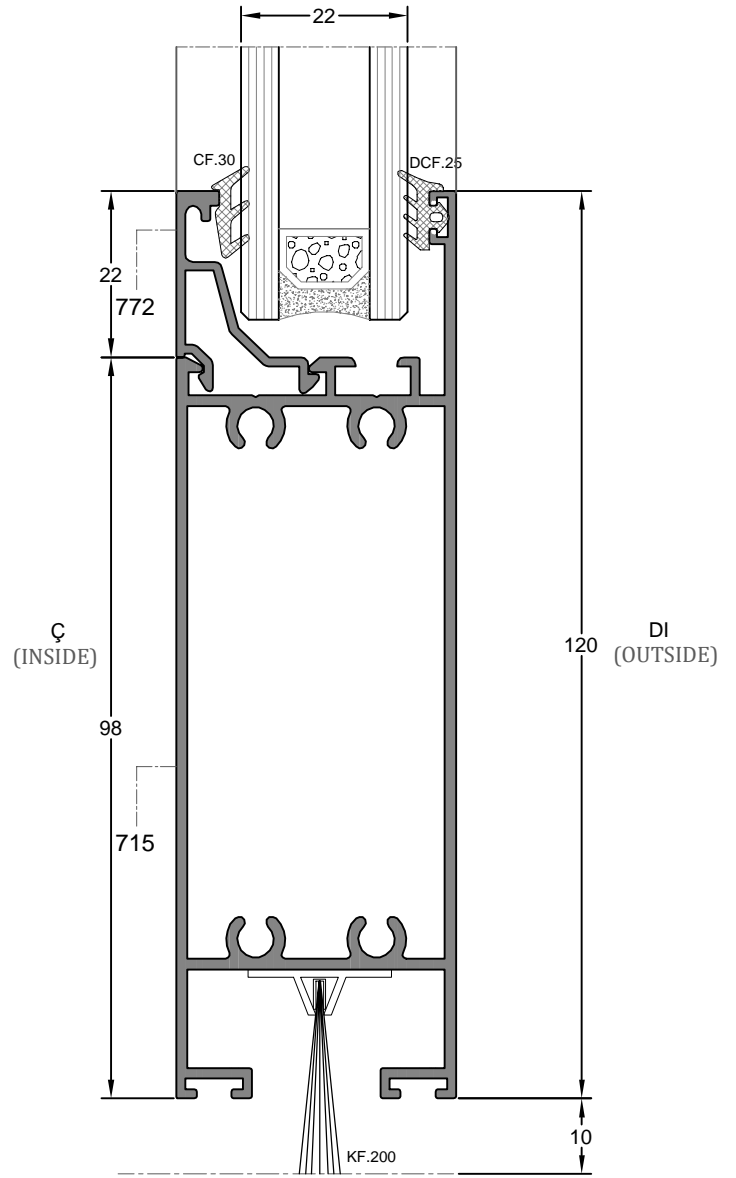


D-7

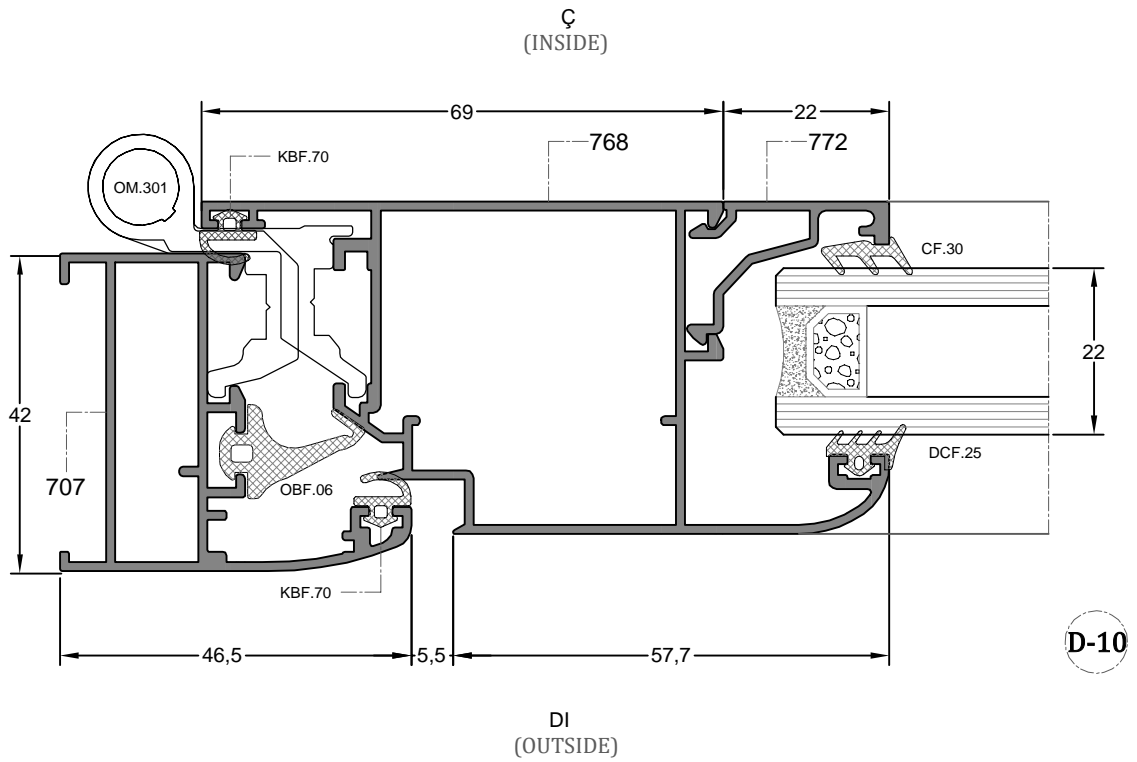
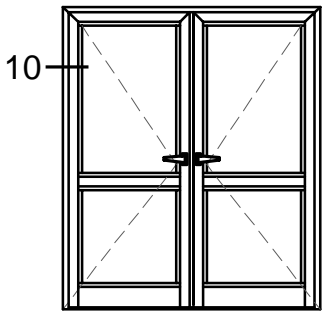
DI  
(OUTSIDE)

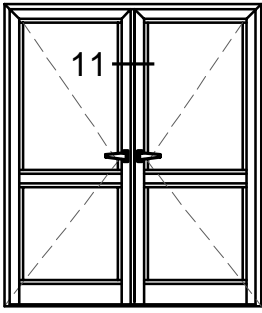
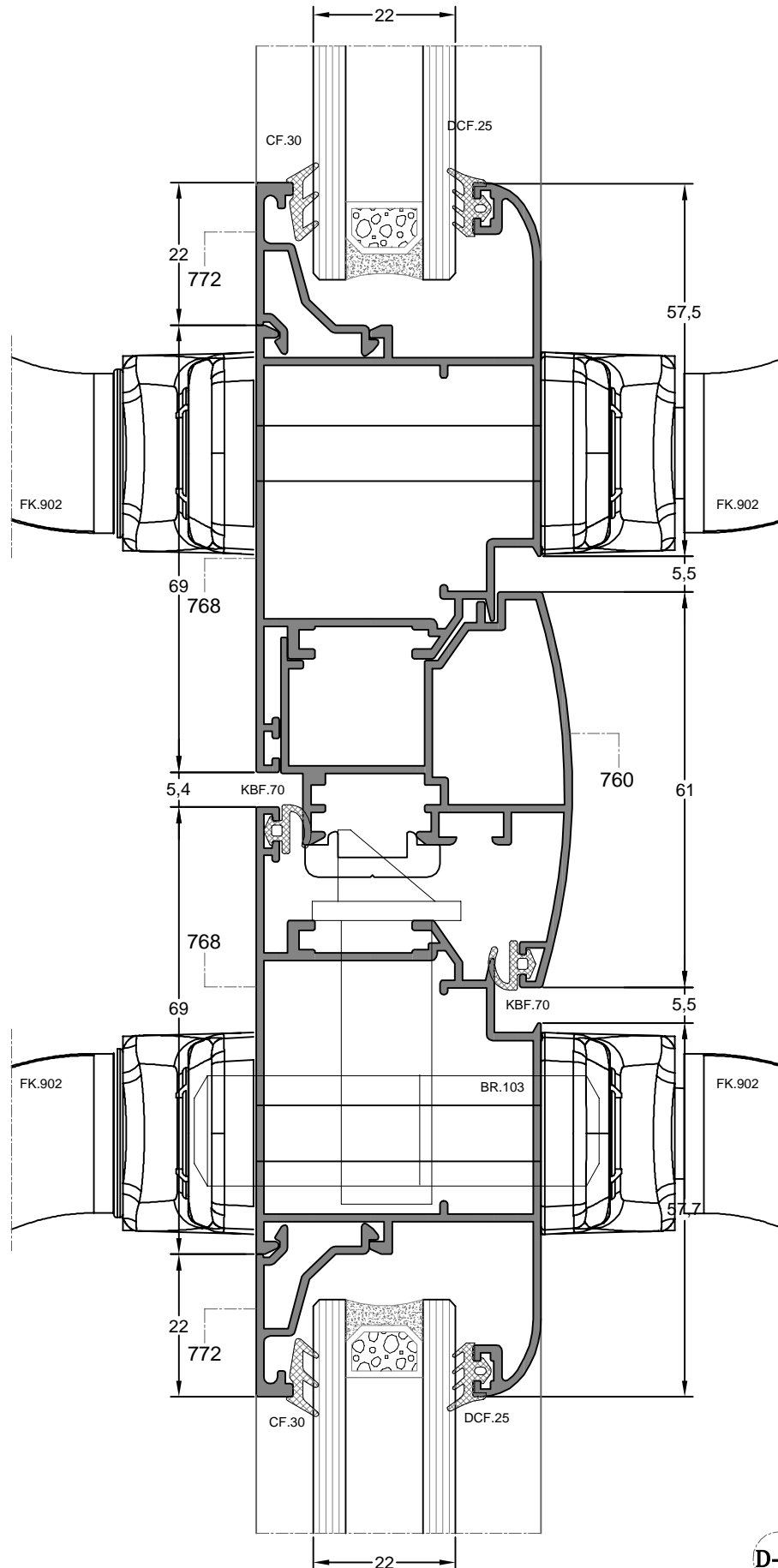


D-8



D-9



Ç  
(INSIDE)D1  
(OUTSIDE)

D-11